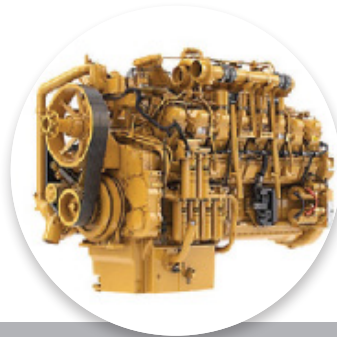


# CEP

Capital Equipment Parts

## CATERPILLAR® REPLACEMENT PARTS 3500 SERIES ENGINES



**CAPIPARTS - Your Mining Parts Specialists**

WWW.CAPIPARTS.CO.ZA

# CAPIPARTS

*Your Mining Parts Specialists*



**CATERPILLAR® REPLACEMENT PARTS  
3500 SERIES ENGINES**



**INTERSTATE-McBEE**



# CONTENTS

Cooling System	15
Crankshaft Seals & Damper	6

## Custom McBee Style Gasket Sets

Generator Engine Sets	16-17
Industrial Engine Sets	18
Machine Engine Sets	20-23
Marine Engine Sets	19
Natural Gas Engine Sets	24-25
Cylinder Block & Rocker Cover Gaskets	6

## Cylinder Head Components

Diesel Applications	7-8
Spark Ignited Applications	9-12
Cylinder Head Hardware Attachment	6
Cylinder Kits	4
Engine Bearings	5
Engine Sensors	16
Fuel Injector Assemblies	13
Fuel Injector Components	14
Fuel Injector Core Identification	15
Fuel System	15

## Modular Type Gasket Sets

Aftercooler Sets	26-28
Air Compressor Sets	28
Auxiliary Water Pump Sets	29
Bevel Gear Sets	30
Brake Cooler Sets	30
Central & Lower Sets	30-32
Cylinder Head Sets	33-34
Exhaust Manifold Sets	35-37
Expansion Tank Sets	52
External Oil Pump Sets	37
Front Engine Structure Sets	38-40
Fuel System Sets	40-43
Hydraulic Controls Sets	43
Oil Cooler & Lines Sets	44-46
Oil Pump Sets	46
Power Train – Transmission Sets	49
Rear Engine Structure Sets	47-48
Single Fuel Injector Sets	49
Torque Converter – Planetary Sets	49
Turbocharger & Turbo Installation Sets	50-51
Water Lines Sets	52-53
Water Pump Sets	54
Power Cylinder Components	4-5
Valve Mechanism	13



## DIESEL STANDARD DISPLACEMENT MODELS

PART #	3508	3512	3516	3520	DESCRIPTION	NOTE
M-CK2995204P	8	12	16		Cylinder Kit - 1pc Steel Piston	14.0:1 Ratio
M-CK3145005P	8	12	16		Cylinder Kit - 1pc Steel Piston	13.5:1 Ratio
M-CK3145006P	8	12	16		Cylinder Kit - 1pc Steel Piston	14.7:1 Ratio

M-CK7C2431P	8	12	16		Cylinder Kit - Aluminum Piston	13.0:1 Ratio - Dual Insert
M-CK9Y2100P	8	12	16		Cylinder Kit - Aluminum Piston	13.0:1 Ratio - Dual Insert
M-CK9Y4124P	8	12	16		Cylinder Kit - Aluminum Piston	13.0:1 Ratio - Dual Insert

## SPARK IGNITED MODELS

PART #	3508	3512	3516	3520	DESCRIPTION	NOTE
M-CK7E7600P	8	12	16		Cylinder Kit - Aluminum Piston	9.0:1 Ratio - Dual Insert
M-CK1014140P	8	12	16		Cylinder Kit - Aluminum Piston	8.0:1 Ratio - Dual Insert
M-CK1973765P	8	12	16		Cylinder Kit - Aluminum Piston	11.0:1 Ratio - Dual Insert
M-CK3767655P			16	20	Cylinder Kit - Aluminum Piston	11.3:1 Ratio - Single Insert
M-CK4860883P	8	12	16		Cylinder Kit - Aluminum Piston	8.0:1 Ratio - Dual Insert
M-CK4955305P	8	12	16		Cylinder Kit - Aluminum Piston	12.0:1 Ratio - Single Insert

## POWER CYLINDER COMPONENTS

PART #	3508	3512	3516	3520	DESCRIPTION	NOTE
M-2995204	8	12	16		Forged Steel Piston - Diesel	14.0:1 Ratio
M-3145005	8	12	16		Forged Steel Piston - Diesel	13.5:1 Ratio
M-3145006	8	12	16		Forged Steel Piston - Diesel	14.7:1 Ratio

M-7C2431	8	12	16		Aluminum Piston - Diesel	13.0:1 Ratio - Dual Insert
M-9Y2100	8	12	16		Aluminum Piston - Diesel	13.5:1 Ratio - Dual Insert
M-9Y4124	8	12	16		Aluminum Piston - Diesel	13.5:1 Ratio - Dual Insert

M-7E7600	8	12	16		Aluminum Piston - Spark Ignited	9.0:1 Ratio - Dual Insert
M-1014140	8	12	16		Aluminum Piston - Spark Ignited	8.0:1 Ratio - Dual Insert
MCB1973765	8	12	16		Aluminum Piston - Spark Ignited	11.0:1 Ratio - Dual Insert
M-3767655			16	20	Aluminum Piston - Spark Ignited	11.3:1 Ratio - Single Insert

## POWER CYLINDER COMPONENTS CONT...

PART #	3508	3512	3516	3520	DESCRIPTION	NOTE
M-4860883	8	12	16		Aluminum Piston - Spark Ignited	8.0:1 Ratio - Dual Insert
M-4955305	8	12	16		Aluminum Piston - Spark Ignited	12.0:1 Ratio - Single Insert
M-2117826	8	12	16	20	Cylinder Liner	8.3317" Flange OD
M-1238206	8	12	16		Cylinder Liner	8.150" Flange OD - early style
M-3535995	8	12	16	20	Cylinder Liner Seal Kit*	
--M-8N4707	8	12	16	20	1 - Filler Band	Non-Chamfered block
--M-3526061	8	12	16	20	1 - Filler Band	Chamfered block
--M-7N2046	24	36	48	60	3 - O-ring Seal	
*=- Items below are contained in the kit						
M-RS3145005	8	12	16		Ring Set - Diesel	Forged Piston
M-RS3319822		12	16		Ring Set - Diesel	Forged Piston HD
M-1N3967	8	12	16		Ring Set - Diesel	Aluminum Piston
M-7E2899	8	12	16		Ring Set - Spark Ignited	
M-RS3767655			16	20	Ring Set - Spark Ignited	
M-2638955	8	12	16		Piston Pin	Forged Piston
M-2531238	16	24	32		Piston Pin Retainer	
M-3023451		12	16		Piston Pin	Forged Piston High Displacement
M-2531238		24	32		Piston Pin Retainer	
M-1388506	8	12	16	20	Piston Pin	Aluminum Piston
M-8N7296	16	24	32	20	Piston Pin Retainer	
M-7N2405	16	24	32	40	Connecting Rod Bolt	

## ENGINE BEARINGS

PART #	3508	3512	3516	3520	DESCRIPTION	NOTE
	8	12	16	20	Connecting Rod Bearing - STD	
	8	12	16	20	Connecting Rod Bearing - .025"	
	8	12	16	20	Connecting Rod Bearing - .050"	
		12	16		Connecting Rod Bearing - STD	High Displacement
		12	16		Connecting Rod Bearing - .025"	Ref. (2832579)
		12	16		Connecting Rod Bearing - .050"	Ref. (2832580)
	5	7	9	11	Main Bearing - STD	
	5	7	9	11	Main Bearing - .025"	
	5	7	9	11	Main Bearing - .050"	
	2	2	2	2	Thrust Plate	

## ENGINE BEARINGS CONT...

PART #	3508	3512	3516	3520	DESCRIPTION	NOTE
M-7N2048	10	14	18		Camshaft Bushing	Early
M-1161359	10	14	18		Camshaft Bushing	Bronze - Thick
M-1011198	10	14	18	22	Camshaft Bushing	"B" & up
M-1181655	8	12	16	20	Connecting Rod Bushing	
In Development		12	16		Connecting Rod Bushing	High Displacement Ref. (3775237)
M-1011372	1	1	1		Cluster Gear Bushing	
M-1275400	1	1	1		Idler Gear Bushing	

## CYLINDER BLOCK & ROCKER COVER GASKETS

PART #	3508	3512	3516	3520	DESCRIPTION	NOTE
M-2067030	8	12	16	20	Rocker Cover Gasket	
M-2965820		12	16	20	Rocker Cover Gasket	G3512/3516/3520C&E
M-4W3027	8	12	16	20	Breather - Crankcase	As required by application
M-2082362	6	10	14	10	Side Camshaft Cover Gasket	
M-2775833				10	Side Camshaft Cover Gasket	
M-2082363	8	12	16	20	Lower Block Side Cover Gasket	

## CRANKSHAFT SEALS & DAMPER

PART #	3508	3512	3516	3520	DESCRIPTION	NOTE
M-1138432	1	1	1	1	Crankshaft Seal	CW rotation
M-1138433	1	1	1	1	Crankshaft Seal	CCW rotation
M-1933288	1	1	1	1	Vibration Damper	

## CYLINDER HEAD ATTACHMENT

PART #	3508	3512	3516	3520	DESCRIPTION	NOTE
M-1106994	8	12	16	20	Aluminum Spacer Plate	Wide Flange
M-2603904	8	12	16	20	Steel Spacer Plate	
MCB1310420	64	96	128	160	Cylinder Head Bolt Assembly*	8 Assemblies per Cylinder Head
--M-1310420	64	96	128	160	1 - Cylinder Head Bolt	
--M-1877738	64	96	128	160	1 - Hard Washer	
MCB3500HBK	8	12	16	20	Cylinder Head Bolt Kit*	1 Kit per Cylinder Head
--M-1310420	64	96	128	160	8 - Cylinder Head Bolt	
--M-1877738	64	96	128	160	8 - Hard Washer	

\* Items below are contained in the kit.

## CYLINDER HEAD COMPONENTS - DIESEL

Contains: 3/8" Intake valves 20° | 1/2" Exhaust valves 45°  
Original twist "Tall" valve springs and matching components

PART #	3508	3512	3516	DESCRIPTION	NOTE
M-2102542	16	24	32	Valve - Intake	Ref. (4688824)
M-4432712	16	24	32	Valve - Intake	Ref. (4688825)
M-2A4429	32	48	64	Valve Lock - Intake	
M-1977055	32	48	64	Valve Lock - Exhaust	
M-1339306	16	24	32	Valve Guide - Intake	
M-1976995	16	24	32	Valve Guide - Exhaust	
M-3165980	16	24	32	Valve Stem Seal - Intake	
M-2348776	16	24	32	Valve Stem Seal - Exhaust	As required by specific application
M-1302607	16	24	32	Valve Seat - Intake	Ref. (1838809)
M-1302608	16	24	32	Valve Seat - Exhaust	Ref. (2899745)
M-3165978	16	24	32	Rotocoil - Intake	
M-3165979	16	24	32	Rotocoil - Exhaust	
M-3165977	32	48	64	Valve Spring - Inner	
M-3165976	32	48	64	Valve Spring - Outer	
M-3165981	16	24	32	Valve Spring Seat	Exhaust
M-2657537	8	12	16	Bridge - Intake	Floating type
M-2657538	8	12	16	Bridge - Exhaust	

## CYLINDER HEAD COMPONENTS - DIESEL

Contains: 3/8" Intake valves 20° | 1/2" Exhaust valves 45°  
Reverse twist "Tall" valve springs and matching components

PART #	3508	3512	3516	DESCRIPTION	NOTE
M-2102542	16	24	32	Valve - Intake	Ref. (4688824)
M-4432712	16	24	32	Valve - Intake	Ref. (4688825)
M-2A4429	32	48	64	Valve Lock - Intake	
M-1977055	32	48	64	Valve Lock - Exhaust	
M-1339306	16	24	32	Valve Guide - Intake	
M-1976995	16	24	32	Valve Guide - Exhaust	
M-1977006	16	24	32	Valve Stem Seal - Intake	
M-2348776	16	24	32	Valve Stem Seal - Exhaust	As required by specific application
M-1302607	16	24	32	Valve Seat - Intake	Ref. (1838809)
M-1302608	16	24	32	Valve Seat - Exhaust	Ref. (2899745)
M-1977062	16	24	32	Rotocoil - Intake	
M-1977063	16	24	32	Rotocoil - Exhaust	
M-1944902	32	48	64	Valve Spring - Inner	
M-1944901	32	48	64	Valve Spring - Outer	
M-2090962	16	24	32	Valve Spring Seat	Exhaust
M-2657537	8	12	16	Bridge - Intake	Floating type
M-2657538	8	12	16	Bridge - Exhaust	

All manufacturer's names, numbers, symbols and descriptions are used for reference purposes only and does not imply that any part listed is the product of these manufacturers.

## CYLINDER HEAD COMPONENTS - DIESEL

Contains: 3/8" Intake valves 20° | 3/8" Exhaust valves 45°  
Original twist "Short" valve springs and matching components

PART #	3508	3512	3516	DESCRIPTION	NOTE
M-2102542	16	24	32	Valve - Intake	Ref. (4688824)
M-2102529	16	24	32	Valve - Exhaust	Ref. (4688825)
M-2A4429	32	48	64	Valve Lock - Intake	
M-2A4429	32	48	64	Valve Lock - Exhaust	
M-1339306	16	24	32	Valve Guide - Intake	
M-1339306	16	24	32	Valve Guide - Exhaust	
M-1977006	16	24	32	Valve Stem Seal - Intake	
M-2348776	16	24	32	Valve Stem Seal - Exhaust	As required by specific application
M-1302607	16	24	32	Valve Seat - Intake	Ref. (1838809)
M-1302608	16	24	32	Valve Seat - Exhaust	Ref. (2899745)
M-1976999	16	24	32	Rotocoil - Intake	
M-1976999	16	24	32	Rotocoil - Exhaust	
M-7N1903	32	48	64	Valve Spring - Inner	
M-7N1904	32	48	64	Valve Spring - Outer	
M-2090962	16	24	32	Valve Spring Seat	Exhaust

## CYLINDER HEAD COMPONENTS - DIESEL

Contains: 3/8" Intake valves 30° | 3/8" Exhaust valves 30°  
Original twist "Short" valve springs and matching components

PART #	3508	3512	3516	DESCRIPTION	NOTE
M-7E4609	16	24	32	Valve - Intake	.375" stem
M-7E4609	16	24	32	Valve - Exhaust	.375" stem
M-2A4429	64	96	128	Valve Lock	
M-1339306	16	24	32	Valve Guide - Intake	
M-1339306	16	24	32	Valve Guide - Exhaust	
M-1977006	16	24	32	Valve Stem Seal - Intake	Ref. (M-1376856)
N/A	N/A	N/A	N/A	Valve Stem Seal - Exhaust*	
M-1189491	16	24	32	Valve Seat - Intake	30°
M-1189491	16	24	32	Valve Seat - Exhaust	30°
M-1976999	16	24	32	Rotocoil - Intake	
M-1976999	16	24	32	Rotocoil - Exhaust	
M-7N1903	32	48	64	Valve Spring - Inner	
M-7N1904	32	48	64	Valve Spring - Outer	
M-2090962	32	48	64	Valve Spring Seat	

\* This version does not utilize exhaust valve stem seals.



## CYLINDER HEAD COMPONENTS – SPARK IGNITED

**Version: 1**

Standard (Quiescent) Heads | Wet Exhaust Manifolds  
Original twist "Short" valve springs and matching components

PART #	3508	3512	3516	DESCRIPTION	NOTE
M-3074641	32	48	64	Valve - Intake & Exhaust	Ref. (5008527)
MCB1047184	32	48	64	Valve - Intake & Exhaust	Inconel
M-2A4429	64	96	128	Valve Lock	
M-9Y1847	16	24	32	Valve Guide - Intake	
M-9Y1846	16	24	32	Valve Guide - Exhaust	
M-6I1713	32	48	64	Valve Seat - Intake & Exhaust	
M-1976999	32	48	64	Rotocoil Assembly	
M-7N1903	32	48	64	Valve Spring - Inner	
M-7N1904	32	48	64	Valve Spring - Outer	
M-2090962	32	48	64	Valve Spring Seat	

## CYLINDER HEAD COMPONENTS – SPARK IGNITED

**Version: 2**

Standard (Swirl) Heads | Dry Exhaust Manifolds  
Original twist "Short" valve springs and matching components

PART #	3508	3512	3516	DESCRIPTION	NOTE
M-3074641	32	48	64	Valve - Intake & Exhaust	Ref. (5008527)
MCB1047184	32	48	64	Valve - Intake & Exhaust	Inconel
M-2A4429	64	96	128	Valve Lock	
M-1845495	16	24	32	Valve Guide - Intake	Ref. (1916766)
M-1845494	16	24	32	Valve Guide - Exhaust	Ref. (3661338)
M-1225963	16	24	32	Valve Seat - Intake	
M-6I1713	16	24	32	Valve Seat - Exhaust	
M-1976999	32	48	64	Rotocoil Assembly	
M-7N1903	32	48	64	Valve Spring - Inner	
M-7N1904	32	48	64	Valve Spring - Outer	
M-2090962	32	48	64	Valve Spring Seat	

All manufacturer's names, numbers, symbols and descriptions are used for reference purposes only and does not imply that any part listed is the product of these manufacturers.

## CYLINDER HEAD COMPONENTS – SPARK IGNITED

**Version: 3**

Landfill (Quiescent) Heads | Wet Exhaust Manifolds

Original twist "Short" valve springs and matching components

PART #	3508	3512	3516	DESCRIPTION	NOTE
M-3089177	32	48	64	Valve - Intake & Exhaust	Ref. (5008528)
MCB1047184	32	48	64	Valve - Intake & Exhaust	Inconel
M-2A4429	64	96	128	Valve Lock	
M-1845495	16	24	32	Valve Guide - Intake	Ref. (1916766)
M-1845494	16	24	32	Valve Guide - Exhaust	Ref. (3661338)
M-1225963	16	24	32	Valve Seat - Intake	
M-6I1713	16	24	32	Valve Seat - Exhaust	
M-1976999	32	48	64	Rotocoil Assembly	
M-1977006	12	24	32	Valve Stem Seal - Intake	
M-7N1903	32	48	64	Valve Spring - Inner	
M-7N1904	32	48	64	Valve Spring - Outer	
M-2090962	32	48	64	Valve Spring Seat	

## CYLINDER HEAD COMPONENTS – SPARK IGNITED

**Version: 4**

Landfill (Swirl) Heads | Dry Exhaust Manifolds

Original twist "Short" valve springs and matching components

PART #	3508	3512	3516	DESCRIPTION	NOTE
M-3089177	32	48	64	Valve - Intake & Exhaust	Ref. (5008528)
MCB1047184	32	48	64	Valve - Intake & Exhaust	Inconel
M-2A4429	64	96	128	Valve Lock	
M-1845495	16	24	32	Valve Guide - Intake	Ref. (1916766)
M-1845494	16	24	32	Valve Guide - Exhaust	Ref. (3661338)
M-6I1713	32	48	64	Valve Seat - Intake & Exhaust	
M-1976999	32	48	64	Rotocoil Assembly	
M-1977006	12	24	32	Valve Stem Seal - Intake	
M-7N1903	32	48	64	Valve Spring - Inner	
M-7N1904	32	48	64	Valve Spring - Outer	
M-2090962	32	48	64	Valve Spring Seat	

All manufacturer's names, numbers, symbols and descriptions are used for reference purposes only and does not imply that any part listed is the product of these manufacturers.



## CYLINDER HEAD COMPONENTS – SPARK IGNITED

**Version: 5**

G3500B | Low Swirl

Original twist "Short" valve springs and matching components

PART #	3508	3512	3516	3520	DESCRIPTION	NOTE
M-3074641	32	48	64	80	Valve - Intake & Exhaust	Natural Gas Ref. (5008527)
M-3089177	32	48	64	80	Valve - Intake & Exhaust	Landfill Gas Ref. (5008528)
MCB1047184	32	48	64	80	Valve - Intake & Exhaust	Inconel
M-2A4429	64	96	128	160	Valve Lock	
M-1916766	16	24	32	40	Valve Guide - Intake - STD	
M-2061544	A/R	A/R	A/R	A/R	Valve Guide - Intake - .25mm	
M-2061545	A/R	A/R	A/R	A/R	Valve Guide - Intake - .50mm	
M-2061541	16	24	32	40	Valve Guide - Exhaust - STD	
M-2061542	A/R	A/R	A/R	A/R	Valve Guide - Exhaust - .25mm	
M-2061543	A/R	A/R	A/R	A/R	Valve Guide - Exhaust - .50mm	
M-2668718	16	24	32	40	Valve Seat - Intake - STD	
M-2668719	A/R	A/R	A/R	A/R	Valve Seat - Intake - .25mm	
M-2668720	A/R	A/R	A/R	A/R	Valve Seat - Intake - .50mm	
M-1916760	16	24	32	40	Valve Seat - Exhaust - STD	
M-2161546	A/R	A/R	A/R	A/R	Valve Seat - Exhaust - .25mm	
M-2061547	A/R	A/R	A/R	A/R	Valve Seat - Exhaust - .50mm	
M-1976999	32	48	64	80	Rotocoil Assembly	
M-7N1903	32	48	64	80	Valve Spring - Inner	
M-7N1904	32	48	64	80	Valve Spring - Outer	
M-2090962	32	48	64	80	Valve Spring Seat	

A/R = As Required for this Application

All manufacturer's names, numbers, symbols and descriptions are used for reference purposes only and does not imply that any part listed is the product of these manufacturers.

## CYLINDER HEAD COMPONENTS – SPARK IGNITED

**Version: 6**

G3500C | G3500E | Water Cooled Inserts

Reverse twist "Tall" valve springs and matching components

PART #	3508	3512	3516	3520	DESCRIPTION	NOTE
M-3074641	32	48	64	80	Valve - Intake & Exhaust	Natural Gas Ref. (5008527)
M-3089177	32	48	64	80	Valve - Intake & Exhaust	Landfill Gas Ref. (5008528)
MCB1047184	32	48	64	80	Valve - Intake & Exhaust	Inconel
M-2A4429	64	96	128	160	Valve Lock	
M-1845495	16	24	32	40	Valve Guide - Intake	Ref. (1916766)
M-1845494	16	24	32	40	Valve Guide - Exhaust	Ref. (3661338)
M-2289673	16	24	32	40	Valve Stem Seal - Intake	Landfill Gas
M-3087100	32	48	64	80	Valve Seat - Intake & Exhaust	Water Cooled
M-2182935	32	48	64	80	Rotocoil Assembly	
M-1944902	32	48	64	80	Valve Spring - Inner	
M-1944901	32	48	64	80	Valve Spring - Outer	
M-2090962	32	48	64	80	Valve Spring Seat	

## CYLINDER HEAD COMPONENTS – SPARK IGNITED

**Version: 7**

G3500C | G3500E | Water Cooled Inserts

Reverse twist "Tall" valve springs and matching components

PART #	3508	3512	3516	3520	DESCRIPTION	NOTE
M-3954263	32	48	64	80	Valve - Intake & Exhaust	Natural Gas Ref. (4981693)
M-3954264	32	48	64	80	Valve - Intake & Exhaust	Landfill Gas Ref. (4981692)
MCB1047184	32	48	64	80	Valve - Intake & Exhaust	Inconel
M-2A4429	64	96	128	160	Valve Lock	
M-1845495	16	24	32	40	Valve Guide - Intake	Ref. (1916766)
M-1845494	16	24	32	40	Valve Guide - Exhaust	Ref. (3661338)
M-3954261	16	24	32	40	Valve Stem Seal - Intake	Landfill Gas
M-3087100	32	48	64	80	Valve Seat - Intake & Exhaust	
M-3165978	32	48	64	80	Rotocoil Assembly	
M-3165977	32	48	64	80	Valve Spring - Inner	
M-3165976	32	48	64	80	Valve Spring - Outer	
M-3165981	32	48	64	80	Valve Spring Seat	

## CYLINDER HEAD COMPONENTS – SPARK IGNITED

PART #	3508	3512	3516	3520	DESCRIPTION	NOTE
M-8F8858	24	36	48	40	Rocker Arm Button	Early
M-9F7707	24	36	48	40	Rocker Arm Button Retainer	
M-1W4594	24	36	48	40	Rocker Arm Bushing	
M-3580768	24	36	48	40	Rocker Arm Adjustment Screw	
M-3J9196	24	36	48	40	Lock Nut	
M-1546389	24	36	48		Rocker Arm Button	B & C
M-9F7707	24	36	48		Rocker Arm Button Retainer	
M-3580768	16	24	32		Rocker Arm Adjustment Screw	
M-3J9196	16	24	32		Lock Nut	
M-1003878	8	12	16		Injector Pushrod Spring	
M-1003877	8	12	16		Injector Pushrod Spring Lock	
M-3467515	24	36	48	40	Lifter Assembly	Early MUI engines
M-7N4782	24	36	48	40	Lifter Guide Spring	
M-3467515RK	24	36	48	40	Lifter Repair Kit	Roller & Pin
M-4168319RK	16	24	32		Lifter Repair Kit - Valve	Roller & Pin - B & C
M-2827944RK	8	12	16		Lifter Repair Kit - Injector	
M-1326469	8	12	16		Harness - Wiring	also some 3524 applications

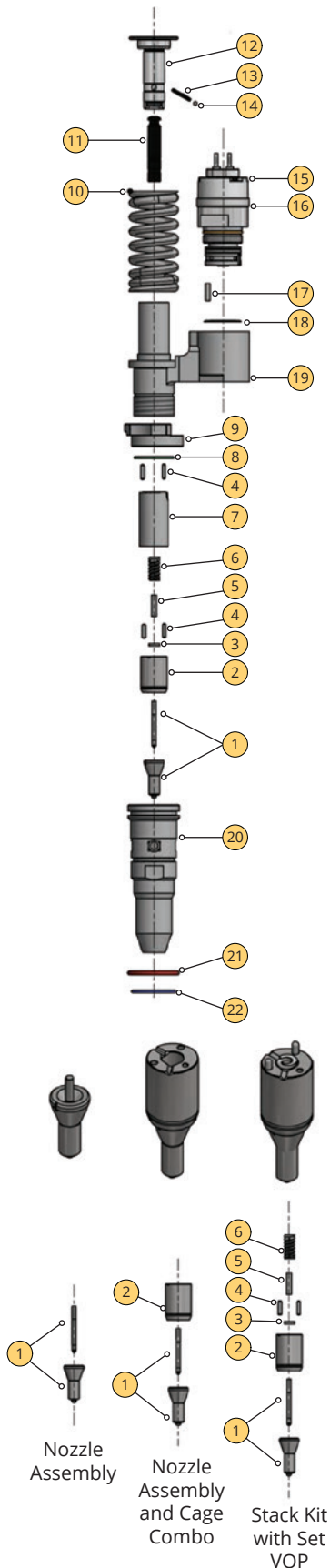
## FUEL INJECTORS

PART #	3508	3512	3516	3520	DESCRIPTION	NOTE
R-20R0849	8	12	16		Remanufactured EUI Injector	Ref. (3920211 - 3760509)
R-20R0850			16		Remanufactured EUI Injector	Ref. (3920213 - 3619355)
R-20R1264	8	12	16		Remanufactured EUI Injector	Ref. (3920200 - 3861752)
R-20R1282	8	12	16		Remanufactured EUI Injector	Ref. (3920222 - 3861774)
R-20R0864		12			Remanufactured EUI Injector	Ref. (3920223 - 3760513)
R-20R1270	8	12	16		Remanufactured EUI Injector	Ref. (3920206 - 3861758)
R-20R1272		12	16		Remanufactured EUI Injector	Ref. (3920208 - 3861760)
R-20R1275	8	12	16		Remanufactured EUI Injector	Ref. (3920214 - 3861766)
R-20R1278	8	12	16		Remanufactured EUI Injector	Ref. (3920217 - 3861769)
R-20R1280	8	12	16		Remanufactured EUI Injector	Ref. (3920219 - 3861771)
M-7C0340	8	12	16		New Fuel Nozzle - Mechanical	Ref. (10R4024)
M-7C0344	8	12	16		New Fuel Nozzle - Mechanical	Ref. (10R4025)
M-7C2238	8	12	16		New Fuel Nozzle - Mechanical	Ref. (10R4020)
M-9Y0051	8	12	16		New Fuel Nozzle - Mechanical	Ref. (10R4026)

All manufacturer's names, numbers, symbols and descriptions are used for reference purposes only and does not imply that any part listed is the product of these manufacturers.



## 3500E INJECTORS



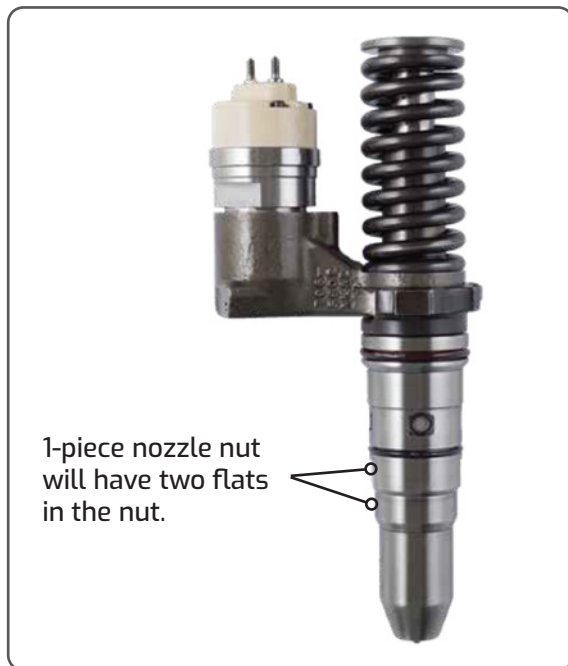
DRAWING NUMBER	ITEM	DESCRIPTION
1	SEE CHART	Nozzle Assembly
2	8991238	Spring Cage
3	8991243	Seat - VOP Spring
4	8991283	Dowel Pin - Stack
5	8991244	Stop Pin - Needle
6	M-1006165	VOP Spring
7	8991245	Stack Spacer
8	8991258	Seal - O-Ring - Green - Internal
9	8991259	Ring - Clamp
10	8991257	Follower Spring
11	8991254	Plunger
12	8991255	Follower
13	8991260	Spring - Ball Stop
14	8991277	Ball Stop
15	8991280	Actuator Assembly
15	8991291	Actuator Assembly
16	8991278	Stator Sleeve - EUI Actuator
17	8991252	Reman- PIN - AL - Spool
18	8991253	Crush Gasket - EUI Body
19	8991295	Body Sub Assembly
20	8991241	Nut Assembly
21	M-2454908	Seal - O-Ring - Red - External
22	M-2454907	Seal - O-Ring - Blue - External

INJECTOR PART NUMBER	NOZZLE ASSEMBLY	NOZZLE ASSEMBLY WITH CAGE	STACK KIT WITH SET VOP
20R0849	8991235	8991339	8991348
20R0850	8991331	8991340	8991349
20R0864	8991332	8991341	8991350
20R1264	8991333	8991342	8991351
20R1270	8991334	8991343	8991352
20R1272	8991335	8991344	8991353
20R1275	8991336	8991345	8991354
20R1278	8991337	8991346	8991355
20R1282	8991338	8991347	8991356

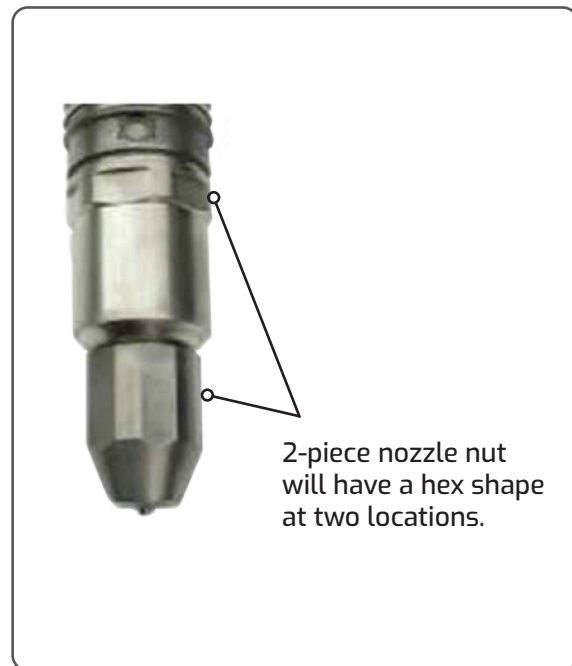
### 3500 EUI INJECTOR CORE POLICY

Interstate-McBee will only accept 3500 EUI Injector Cores (IM core code = C-3500) that contain a one-piece nozzle. See pic below.

#### ACCEPTABLE



#### NOT ACCEPTABLE



### CORE RETURN POLICY

#### CORE RETURNS MUST MEET THE FOLLOWING CRITERIA:

- Units must be properly identified with their part number.
- Units must be returned as off of the engine - assembled and complete.
- Units damaged by fire or excessive other damage will not be acceptable

#### GROUP CLASSIFICATION OF CORES:

Cores will be accepted for any of the exchange injectors within the specific group classification.

Unacceptable cores not meeting the above criteria will be scrapped and no credit will be issued. Copy of the original invoice or packing slip referring to said invoice must accompany cores upon return

**CORE MUST BE RETURNED TO:**  
Capital Equipment Parts

All manufacturer's names, numbers, symbols and descriptions are used for reference purposes only and does not imply that any part listed is the product of these manufacturers.

## FUEL SYSTEM

PART #	3508	3512	3516	3520	DESCRIPTION	NOTE
M-6V9897	8	12	16		MUI Injector Seal Kit*	
-M-1949584	16	24	32		2- Seal Ring	
-M-6V1250	16	24	32		1- Seal Ring	
M-2688154	8	12	16		EUI Injector Seal Kit*	
-M-2454908	8	12	16		1- Seal Ring	Upper
-M-2454907	8	12	16		1- Seal Ring	Lower

\*= Items below are contained in the kit

## COOLING SYSTEM

PART #	3508	3512	3516	3520	DESCRIPTION	NOTE
M-4W4011	4	4	4		Regulator - 170°F	Ref. (1209453)
M-2485513	4	4	4	8	Regulator - 180°F	
M-2477133	4	4	4	8	Regulator - 190°F	
M-3S9643	4	4	4	8	Regulator Seal	
M-2225152		1	1		Kit - Water Pump Rebuild	
M-2225153	1	1			Kit - Water Pump Rebuild	
M-2944935	1	1	1		Kit - Auxilliary Pump Rebuild	
M-2128183		1	1		Impeller - Water Pump	
M-2128184	1	1			Impeller - Water Pump	
M-2128187	1	1	1		Impeller - Aux Water Pump	
M-2128179	1	1	1		Shaft - Aux Water Pump	
M-2128180	1	1	1		Shaft - Water Pump	
M-5N4383	1	1	1		Thrust Washer - Aux Water Pump	
M-1664374	1	1	1		Ring Assembly - Shaft	
M-6N5926	AR	AR	AR	AR	Sender - Coolant Temperature	

## ENGINE SENSORS

PART #	3508	3512	3516	3520	DESCRIPTION	NOTE
M-6N5926	AR	AR	AR	AR	Sender - Coolant Temperature	
M-9X1124	AR	AR	AR	AR	Sender - Engine Oil Pressure	
M-1946724	AR	AR	AR	AR	Sensor - Engine Oil Pressure	
M-1946725	AR	AR	AR	AR	Sensor - Engine Oil Pressure	
M-1946722	AR	AR	AR	AR	Sensor - Pressure - Air	



**GENERATOR CUSTOM GASKET SETS**

ENGINE	ESN	COMMENT	DESCRIPTION	PART #
3508	23Z 70Z	MUI Dry Exhaust Manifolds	Major Overhaul Set	MCB3508051
			In-Chassis Set	<i>IN DEVELOPMENT</i>
			Cylinder Head Set	MCB3508053
			Single Head Set	MCB3508054
3508	23Z 70Z	EUI Dry Exhaust Manifolds	Major Overhaul Set	MCB3508061
			In-Chassis Set	<i>IN DEVELOPMENT</i>
			Cylinder Head Set	MCB3508063
			Single Head Set	MCB3508064
3508B	2HW 4GM 6PN	EUI Dry Exhaust Manifolds	Major Overhaul Set	<i>IN DEVELOPMENT</i>
			In-Chassis Set	<i>IN DEVELOPMENT</i>
			Cylinder Head Set	MCB3508073
			Single Head Set	MCB3508074
3508B	1TW 3DM 3DW 3LS 7SM DPN	EUI Dry Exhaust Manifolds	Major Overhaul Set	<i>IN DEVELOPMENT</i>
			In-Chassis Set	<i>IN DEVELOPMENT</i>
			Cylinder Head Set	MCB3508133
			Single Head Set	MCB3516124
		Ceramic Manifolds	Single Head Set	MCB3516164
3512	24Z 67Z CTE 1KZ	MUI Dry Exhaust Manifolds	Major Overhaul Set	MCB3512031
			In-Chassis Set	<i>IN DEVELOPMENT</i>
			Cylinder Head Set	MCB3512033
			Single Head Set	MCB3508054
3512	24Z 67Z CTE 1KZ	EUI Wet Exhaust Manifolds	Major Overhaul Set	MCB3512041
			In-Chassis Set	<i>IN DEVELOPMENT</i>
			Cylinder Head Set	MCB3512043
			Single Head Set	MCB3508064



## GENERATOR CUSTOM GASKET SETS CONT...

ENGINE	ESN	COMMENT	DESCRIPTION	PART #
3512B	1GZ 4AW 6GW 6WN 8RM CTB	EUI Dry Exhaust Manifolds	Major Overhaul Set	MCB3512091
			In-Chassis Set	<i>IN DEVELOPMENT</i>
			Cylinder Head Set	MCB3512093
			Single Head Set	MCB3508064
3512C	1GZ 4AW 6GW 6WN 8RM	EUI Dry Exhaust Manifolds	Major Overhaul Set	MCB3512091
			In-Chassis Set	<i>IN DEVELOPMENT</i>
			Cylinder Head Set	MCB3512093
			Single Head Set	MCB3508064
3516	25Z 73Z 5SJ	MUI Wet Exhaust Manifolds	Major Overhaul Set	MCB3516031
			In-Chassis Set	<i>IN DEVELOPMENT</i>
			Cylinder Head Set	MCB3516033
			Single Head Set	MCB3508054
3516	25Z 73Z	MUI Wet Exhaust Manifolds	Major Overhaul Set	MCB3516041
			In-Chassis Set	<i>IN DEVELOPMENT</i>
			Cylinder Head Set	MCB3516043
			Single Head Set	MCB3508064
3516B	1NW 2JW 3NS 6HN	EUI Dry Exhaust Manifolds	Major Overhaul Set	MCB3516091
			In-Chassis Set	<i>IN DEVELOPMENT</i>
			Cylinder Head Set	MCB3516093
			Single Head Set	MCB3508074
3516C	2JW 3NS 6HN 7RN	EUI Dry Exhaust Manifolds	Major Overhaul Set	MCB3516091
			In-Chassis Set	<i>IN DEVELOPMENT</i>
			Cylinder Head Set	MCB3516093
			Single Head Set	MCB3508074



## INDUSTRIAL CUSTOM GASKET SETS

ENGINE	ESN	COMMENT	DESCRIPTION	PART #
3508	68Z 95Y	MUI Dry Exhaust Manifolds	Major Overhaul Set	MCB3508051
			In-Chassis Set	<i>IN DEVELOPMENT</i>
			Cylinder Head Set	MCB3508053
			Single Head Set	MCB3508054
3508	68Z 95Y	MUI Wet Exhaust Manifolds	Major Overhaul Set	MCB3508061
			In-Chassis Set	<i>IN DEVELOPMENT</i>
			Cylinder Head Set	MCB3508063
			Single Head Set	MCB3508064
3512	49Y 51Y 65Z	MUI Dry Exhaust Manifolds	Major Overhaul Set	MCB3512031
			In-Chassis Set	<i>IN DEVELOPMENT</i>
			Cylinder Head Set	MCB3512033
			Single Head Set	MCB3508054
3512	49Y 65Z	MUI Wet Exhaust Manifolds	Major Overhaul Set	MCB3512041
			In-Chassis Set	<i>IN DEVELOPMENT</i>
			Cylinder Head Set	MCB3512043
			Single Head Set	MCB3508064
3512B	3ZW RL4	Locomotive EUI Ceramic Exhaust Manifolds	Major Overhaul Set	<i>IN DEVELOPMENT</i>
			In-Chassis Set	<i>IN DEVELOPMENT</i>
			Cylinder Head Set	MCB3512123
			Single Head Set	<i>IN DEVELOPMENT</i>
3512C	MLM PE4 PFP PNN PPL SRF	EUI Dry Exhaust Manifolds	Major Overhaul Set	MCB3512091
			In-Chassis Set	<i>IN DEVELOPMENT</i>
			Cylinder Head Set	MCB3512093
			Single Head Set	<i>IN DEVELOPMENT</i>
3512C	LLA LLB LLF R1A R1S	Petroleum EUI Dry Exhaust Manifolds	Major Overhaul Set	<i>IN DEVELOPMENT</i>
			In-Chassis Set	<i>IN DEVELOPMENT</i>
			Cylinder Head Set	MCB3512063
			Single Head Set	<i>IN DEVELOPMENT</i>
3516	27Z 71Z	MUI Dry Exhaust Manifolds	Major Overhaul Set	MCB3516031
			In-Chassis Set	<i>IN DEVELOPMENT</i>
			Cylinder Head Set	MCB3516033
			Single Head Set	MCB3508054
3516	27Z 71Z	MUI Wet Exhaust Manifolds	Major Overhaul Set	MCB3516041
			In-Chassis Set	<i>IN DEVELOPMENT</i>
			Cylinder Head Set	MCB3516043
			Single Head Set	MCB3508064

## MACHINE CUSTOM GASKET SETS

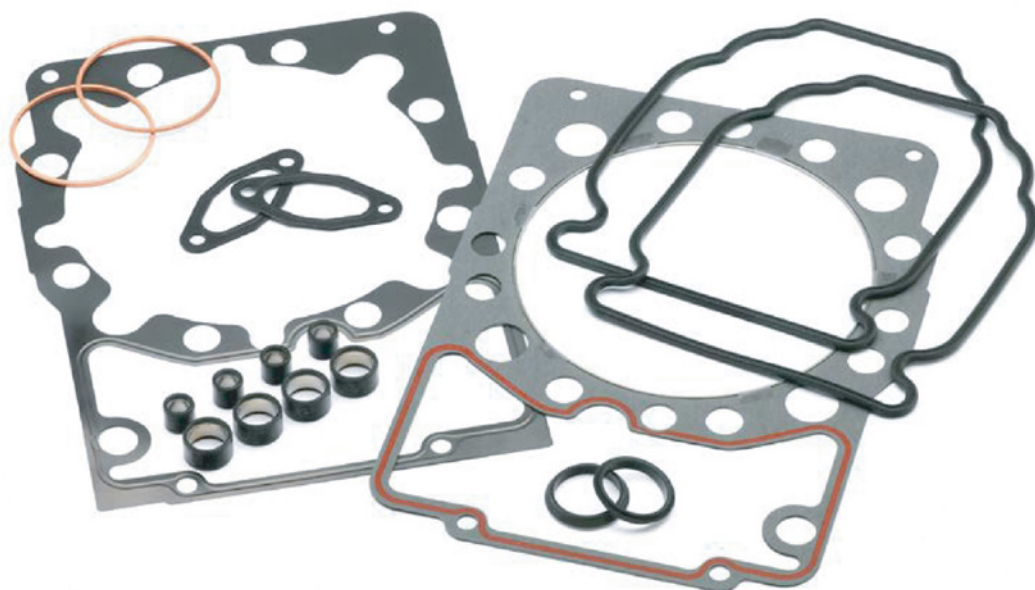
MODEL	MSN	ENGINE	ESN	COMMENT	DESCRIPTION	PART #
<b>D11N Dozer</b>	74Z	3508	99W	MUI Dry Exhaust Manifolds	Major Overhaul Set	MCB3508011
					In-Chassis Set	<i>IN DEVELOPMENT</i>
					Cylinder Head Set	MCB3508013
					Single Head Set	MCB3508014
<b>D11N Dozer</b>	4HK	3508	7YG	MUI Dry Exhaust Manifolds	Major Overhaul Set	MCB3508021
					In-Chassis Set	<i>IN DEVELOPMENT</i>
					Cylinder Head Set	MCB3508023
					Single Head Set	MCB3508024
<b>D11R Dozer</b>	8ZR	3508	7YG C8X	MUI Dry Exhaust Manifolds	Major Overhaul Set	MCB3508121
					In-Chassis Set	<i>IN DEVELOPMENT</i>
					Cylinder Head Set	MCB3508123
					Single Head Set	MCB3508124
<b>D11R Dozer</b>	AAF 7PZ 9TR 9XR	3508B	2GR C8T	MUI Dry Exhaust Manifolds	Major Overhaul Set	MCB3508121
					In-Chassis Set	<i>IN DEVELOPMENT</i>
					Cylinder Head Set	MCB3508123
					Single Head Set	MCB3508124
<b>5130 Excavator</b>	5ZL	3508B	7YG	MUI Dry Exhaust Manifolds	Major Overhaul Set	MCB3508121
					In-Chassis Set	<i>IN DEVELOPMENT</i>
					Cylinder Head Set	MCB3508123
					Single Head Set	MCB3508124
<b>5130B Excavator</b>	4CS	3508B	2GR	MUI Dry Exhaust Manifolds	Major Overhaul Set	MCB3508121
					In-Chassis Set	<i>IN DEVELOPMENT</i>
					Cylinder Head Set	MCB3508123
					Single Head Set	MCB3508124
<b>5230 Excavator</b>	7LL	3516	2PK	MUI Dry Exhaust Manifolds	Major Overhaul Set	<i>IN DEVELOPMENT</i>
					In-Chassis Set	<i>IN DEVELOPMENT</i>
					Cylinder Head Set	<i>IN DEVELOPMENT</i>
					Single Head Set	M-3550775
<b>5230B Excavator</b>	4HZ	3516B	7TR	MUI Dry Exhaust Manifolds	Major Overhaul Set	MCB3516171
					In-Chassis Set	<i>IN DEVELOPMENT</i>
					Cylinder Head Set	MCB3516173
					Single Head Set	MCB3516174
<b>776B Truck</b>	6JC	3508	99W	MUI Dry Exhaust Manifolds	Major Overhaul Set	MCB3508011
					In-Chassis Set	<i>IN DEVELOPMENT</i>
					Cylinder Head Set	MCB3508013
					Single Head Set	MCB3508014
<b>776C Truck</b>	2TK	3508	7YG	MUI Dry Exhaust Manifolds	Major Overhaul Set	MCB3508021
					In-Chassis Set	<i>IN DEVELOPMENT</i>
					Cylinder Head Set	MCB3508023
					Single Head Set	MCB3508024
<b>776D Truck</b>	5ER AFS	3508	2GR C8T	MUI Dry Exhaust Manifolds	Major Overhaul Set	MCB3508121
					In-Chassis Set	<i>IN DEVELOPMENT</i>
					Cylinder Head Set	MCB3508123
					Single Head Set	MCB3508124

## MACHINE CUSTOM GASKET SETS CONT...

MODEL	MSN	ENGINE	ESN	COMMENT	DESCRIPTION	PART #
<b>777B Truck</b>	4YC	3508	99W	MUI Dry Exhaust Manifolds	Major Overhaul Set	MCB3508011
					In-Chassis Set	<i>IN DEVELOPMENT</i>
					Cylinder Head Set	MCB3508013
					Single Head Set	MCB3508014
<b>777C Truck</b>	4XJ	3508	7YG	MUI Dry Exhaust Manifolds	Major Overhaul Set	MCB3508021
					In-Chassis Set	<i>IN DEVELOPMENT</i>
					Cylinder Head Set	MCB3508023
					Single Head Set	MCB3508024
<b>777D Truck</b>	2YW AGY	3512B	8BR	MUI Dry Exhaust Manifolds	Major Overhaul Set	MCB3512081
					In-Chassis Set	<i>IN DEVELOPMENT</i>
					Cylinder Head Set	MCB3512083
					Single Head Set	M-3550775
<b>777D Truck</b>	3PR AGC FKR	3508B	2GR C8T JDM	MUI Dry Exhaust Manifolds	Major Overhaul Set	MCB3508121
					In-Chassis Set	<i>IN DEVELOPMENT</i>
					Cylinder Head Set	MCB3508123
					Single Head Set	MCB3508124
<b>784B Truck</b>	5RK	3512	4WJ	MUI Dry Exhaust Manifolds	Major Overhaul Set	MCB3512081
					In-Chassis Set	<i>IN DEVELOPMENT</i>
					Cylinder Head Set	MCB3512083
					Single Head Set	M-3550775
<b>784C Truck</b>	2PZ	3512B	8BR	MUI Dry Exhaust Manifolds	Major Overhaul Set	MCB3512081
					In-Chassis Set	<i>IN DEVELOPMENT</i>
					Cylinder Head Set	MCB3512083
					Single Head Set	M-3550775
<b>785 Truck</b>	8GB	3512	96Z	MUI Dry Exhaust Manifolds	Major Overhaul Set	MCB3512051
					In-Chassis Set	<i>IN DEVELOPMENT</i>
					Cylinder Head Set	MCB3512053
					Single Head Set	MCB3508024
<b>785B Truck</b>	6HK	3512	4WJ	MUI Dry Exhaust Manifolds	Major Overhaul Set	MCB3512081
					In-Chassis Set	<i>IN DEVELOPMENT</i>
					Cylinder Head Set	MCB3512083
					Single Head Set	M-3550775
<b>785B 785C Truck</b>	6HK 1HW APX	3512B	8BR	MUI Dry Exhaust Manifolds	Major Overhaul Set	MCB3512081
					In-Chassis Set	<i>IN DEVELOPMENT</i>
					Cylinder Head Set	MCB3512083
					Single Head Set	M-3550775
<b>785C Truck</b>	5AZ	3516B	7TR	MUI Dry Exhaust Manifolds	Major Overhaul Set	MCB3516151
					In-Chassis Set	<i>IN DEVELOPMENT</i>
					Cylinder Head Set	MCB3516153
					Single Head Set	M-3550775
<b>785D Truck</b>	DMC MSY	3516C	B7F D85	MUI Dry Exhaust Manifolds	Major Overhaul Set	MCB3516151
					In-Chassis Set	<i>IN DEVELOPMENT</i>
					Cylinder Head Set	MCB3516153
					Single Head Set	M-3550775

## MACHINE CUSTOM GASKET SETS CONT...

MODEL	MSN	ENGINE	ESN	COMMENT	DESCRIPTION	PART #
<b>789 Truck</b>	9ZC	3516	54Z	MUI Dry Exhaust Manifolds	Major Overhaul Set	MCB3516051
					In Chassis Set	<i>IN DEVELOPMENT</i>
					Cylinder Head Set	MCB3516053
					Single Head Set	MCB3508024
<b>789B Truck</b>	7EK	3516	2PK 7TR	MUI Dry Exhaust Manifolds	Major Overhaul Set	MCB3516151
					In Chassis Set	<i>IN DEVELOPMENT</i>
					Cylinder Head Set	MCB3516153
					Single Head Set	M-3550775
<b>789C 789D Truck</b>	2BW SPD SHH	3516B	7TR B8F	MUI Dry Exhaust Manifolds	Major Overhaul Set	MCB3516151
					In Chassis Set	<i>IN DEVELOPMENT</i>
					Cylinder Head Set	MCB3516153
					Single Head Set	M-3550775
<b>793 Truck</b>	3SJ	3516	54Z	MUI Dry Exhaust Manifolds	Major Overhaul Set	MCB3516051
					In Chassis Set	<i>IN DEVELOPMENT</i>
					Cylinder Head Set	MCB3516053
					Single Head Set	MCB3508024
<b>793B Truck</b>	1HL	3516	2PK	MUI Dry Exhaust Manifolds	Major Overhaul Set	MCB3516151
					In Chassis Set	<i>IN DEVELOPMENT</i>
					Cylinder Head Set	MCB3516153
					Single Head Set	M-3550775
<b>793C Truck</b>	ATY CBR	3516B	8WM	MUI Dry Exhaust Manifolds	Major Overhaul Set	MCB3516151
					In Chassis Set	<i>IN DEVELOPMENT</i>
					Cylinder Head Set	MCB3516153
					Single Head Set	M-3550775
<b>793C Truck</b>	4AR 4GZ ATY	3516B	7TR	EUI Ceramic Exhaust Manifolds	Major Overhaul Set	MCB3516171
					In Chassis Set	<i>IN DEVELOPMENT</i>
					Cylinder Head Set	MCB3516173
					Single Head Set	MCB3516174
<b>793D Truck</b>	FDB	3516B	8WM	MUI Dry Exhaust Manifolds	Major Overhaul Set	MCB3516151
					In Chassis Set	<i>IN DEVELOPMENT</i>
					Cylinder Head Set	MCB3516153
					Single Head Set	M-3550775
<b>793D Truck</b>	FDB	3516B	7TR	EUI Ceramic Exhaust Manifolds	Major Overhaul Set	MCB3516171
					In Chassis Set	<i>IN DEVELOPMENT</i>
					Cylinder Head Set	MCB3516173
					Single Head Set	MCB3516174
<b>793D Truck</b>	FDB	3516B	8WM	MUI Dry Exhaust Manifolds	Major Overhaul Set	MCB3516151
					In Chassis Set	<i>IN DEVELOPMENT</i>
					Cylinder Head Set	MCB3516153
					Single Head Set	M-3550775
<b>MT4400D Truck</b>	MH4 MT4	3516C	TRD		Major Overhaul Set	<i>IN DEVELOPMENT</i>
					In Chassis Set	<i>IN DEVELOPMENT</i>
					Cylinder Head Set	<i>IN DEVELOPMENT</i>
					Single Head Set	M-3550775



## MACHINE CUSTOM GASKET SETS CONT...

MODEL	MSN	ENGINE	ESN	COMMENT	DESCRIPTION	PART #
<b>854G Wheel Tractor</b>	1JW A4W AMP	3508B	2GR C8T	EUI Dry Exhaust Manifolds	Major Overhaul Set	MCB3508121
					In Chassis Set	<i>IN DEVELOPMENT</i>
					Cylinder Head Set	MCB3508123
					Single Head Set	MCB3508124
<b>992G Wheel Loader</b>	7HR ADZ AZX	3508B	2GR	EUI Dry Exhaust Manifolds	Major Overhaul Set	MCB3508121
					In Chassis Set	<i>IN DEVELOPMENT</i>
					Cylinder Head Set	MCB3508123
					Single Head Set	MCB3508124
<b>994 Wheel Loader</b>	9YF	3516	54Z	MUI Dry Exhaust Manifolds	Major Overhaul Set	MCB3516051
					In Chassis Set	<i>IN DEVELOPMENT</i>
					Cylinder Head Set	MCB3516053
					Single Head Set	MCB3508024
<b>994D Wheel Loader</b>	3TZ	3516B	7TR	EUI Dry Exhaust Manifolds	Major Overhaul Set	MCB3516171
					In Chassis Set	<i>IN DEVELOPMENT</i>
					Cylinder Head Set	MCB3516173
					Single Head Set	MCB3516174
<b>994F Wheel Loader</b>	442	3516B	8WM	EUI Dry Exhaust Manifolds	Major Overhaul Set	<i>IN DEVELOPMENT</i>
					In Chassis Set	<i>IN DEVELOPMENT</i>
					Cylinder Head Set	<i>IN DEVELOPMENT</i>
					Single Head Set	MCB3516174
<b>994H Wheel Loader</b>	DWC	3516B	8NZ	EUI Dry Exhaust Manifolds	Major Overhaul Set	<i>IN DEVELOPMENT</i>
					In Chassis Set	<i>IN DEVELOPMENT</i>
					Cylinder Head Set	<i>IN DEVELOPMENT</i>
					Single Head Set	MCB3516174
<b>994K Wheel Loader</b>	MRK	3516B	LR4	EUI Dry Exhaust Manifolds	Major Overhaul Set	<i>IN DEVELOPMENT</i>
					In Chassis Set	<i>IN DEVELOPMENT</i>
					Cylinder Head Set	<i>IN DEVELOPMENT</i>
					Single Head Set	MCB3516174



## MARINE CUSTOM GASKET SETS

ENGINE	ESN	COMMENT	DESCRIPTION	PART #
3508	69Z11-Up 96Y11-Up	MUI Wet Exhaust Manifolds	Major Overhaul Set	MCB3508061
			In Chassis Set	<i>IN DEVELOPMENT</i>
			Cylinder Head Set	MCB3508063
			Single Head Set	MCB3508064
3512	50Y 66Z	MUI Wet Exhaust Manifolds	Major Overhaul Set	MCB3512041
			In Chassis Set	<i>IN DEVELOPMENT</i>
			Cylinder Head Set	MCB3512043
			Single Head Set	MCB3508064
3512B	3RS 3WS 4TN	EUI Dry Exhaust Manifolds	Major Overhaul Set	<i>IN DEVELOPMENT</i>
			In Chassis Set	<i>IN DEVELOPMENT</i>
			Single Head Set - Early	MCB3516124
			Single Head Set - Late	MCB3516164
3512B	1PW 7HM 8EM 8RM	EUI Ceramic Exhaust Manifolds	Major Overhaul Set	MCB3512161
			In Chassis Set	<i>IN DEVELOPMENT</i>
			Cylinder Head Set	MCB3512163
			Single Head Set	MCB3516164
3516	29Z 72Z	MUI Wet Exhaust Manifolds	Major Overhaul Set	MCB3516041
			In Chassis Set	<i>IN DEVELOPMENT</i>
			Cylinder Head Set	MCB3516043
			Single Head Set	MCB3508064
3516	4MJ150-Up	EUI Ceramic Exhaust Manifolds	Major Overhaul Set	MCB3516141
			In Chassis Set	<i>IN DEVELOPMENT</i>
			Cylinder Head Set	MCB3516143
			Single Head Set	MCB3516144
3516	2FW 3SS 3SX 8CN 8KN 9AN	EUI Ceramic Exhaust Manifolds	Major Overhaul Set	MCB3516161
			In Chassis Set	<i>IN DEVELOPMENT</i>
			Cylinder Head Set	MCB3516163
			Single Head Set	MCB3516164
3516B	2FW 3SS 3SX 8CN 8KN 9AN	MUI Wet Exhaust Manifolds	Major Overhaul Set	<i>IN DEVELOPMENT</i>
			In Chassis Set	<i>IN DEVELOPMENT</i>
			Cylinder Head Set	MCB3516123
			Single Head Set	MCB3516124

## NATURAL GAS CUSTOM GASKET SETS

ENGINE	ESN	COMMENT	DESCRIPTION	PART #
G3508	2JF	Magneto Wet Exhaust Manifolds	Major Overhaul Set	MCB3508031
			In Chassis Set	<i>IN DEVELOPMENT</i>
			Cylinder Head Set	MCB3508033
			Single Head Set	MCB3500NG
		Ceramic Exhaust Manifolds	Single Head Set	MCB3500NG
G3508	4WD 9TG DLR N8A N8B WPM WPN	EIS Wet Exhaust Manifolds	Major Overhaul Set	MCB3508041
			In Chassis Set	<i>IN DEVELOPMENT</i>
			Cylinder Head Set	MCB3508043
			Single Head Set	MCB3500NG
		Ceramic Exhaust Manifolds	Single Head Set	MCB3516114
G3512	4KC	Magneto Wet Exhaust Manifolds	Major Overhaul Set	<i>MCB3512011</i>
			In Chassis Set	<i>MCB3512012</i>
			Cylinder Head Set	MCB3512013
			Single Head Set	MCB3500NG
		Ceramic Exhaust Manifolds	Single Head Set	MCB3516114
G3512	CTM	EIS Wet Exhaust Manifolds	Major Overhaul Set	MCB3512021
			In Chassis Set	<i>MCB3512022</i>
			Cylinder Head Set	MCB3512023
			Single Head Set	MCB3500NG
		Ceramic Exhaust Manifolds	Single Head Set	MCB3516114
G3512	5JD 6JW 7NJ GNS WPP WPR	EIS Wet Exhaust Manifolds	Major Overhaul Set	MCB3512021
			In Chassis Set	<i>MCB3512022</i>
			Cylinder Head Set	MCB3512023
			Single Head Set	MCB3500NG
		Ceramic Exhaust Manifolds	Single Head Set	MCB3516114
G3512	5ZZ CTM	EIS (late) Dry Exhaust Manifolds	Major Overhaul Set	MCB3512111
			In Chassis Set	<i>MCB3512112</i>
			Cylinder Head Set	MCB3512113
			Single Head Set	MCB3500NG
		Ceramic Exhaust Manifolds	Single Head Set	MCB3516114
G3512	5JD 7NJ	EIS (late) Dry Exhaust Manifolds	Major Overhaul Set	MCB3512111
			In Chassis Set	<i>MCB3512112</i>
			Cylinder Head Set	MCB3512113
			Single Head Set	MCB3500NG
		Ceramic Exhaust Manifolds	Single Head Set	MCB3516114
G3516	3RC	Magneto Wet Exhaust Manifolds	Major Overhaul Set	<i>MCB3516011</i>
			In Chassis Set	<i>MCB3516012</i>
			Cylinder Head Set	MCB3516013
			Single Head Set	MCB3500NG
		Ceramic Exhaust Manifolds	Single Head Set	MCB3516114

## NATURAL GAS CUSTOM GASKET SETS CONT...

ENGINE	ESN	COMMENT	DESCRIPTION	PART #
<b>G3516</b>	8BZ CTL E64 E66 E67 E68 L6K L6L L6M L6N	EIS Wet Exhaust Manifolds	Major Overhaul Set	MCB3516021
			In Chassis Set	MCB3516022
			Cylinder Head Set	MCB3516023
			Single Head Set	MCB3500NG
<b>G3516</b>	4EK 5PN 8LD 8PW N6A N6B N6C WPS	EIS Wet Exhaust Manifolds	Major Overhaul Set	MCB3516021
			In Chassis Set	MCB3516022
			Cylinder Head Set	MCB3516023
			Single Head Set	MCB3500NG
<b>G3516</b>	E66 L6K L6L L6N ZBA	EIS (late) Dry Exhaust Manifolds	Major Overhaul Set	MCB3516111
			In Chassis Set	MCB3516112
			Cylinder Head Set	MCB3516113
			Single Head Set	MCB3500NG
		Ceramic Exhaust Manifolds	Single Head Set	MCB3516114
<b>G3516</b>	4EK 8LD	EIS (late) Dry Exhaust Manifolds	Major Overhaul Set	MCB3516111
			In Chassis Set	MCB3516112
			Cylinder Head Set	MCB3516113
			Single Head Set	MCB3500NG
		Ceramic Exhaust Manifolds	Single Head Set	MCB3516114
<b>G3516B</b>	7EZ CEY CTW L6R L6S ZBB	ECM Dry Exhaust Manifolds	Major Overhaul Set	MCB3516211
			In Chassis Set	<i>IN DEVELOPMENT</i>
			Cylinder Head Set	MCB3516213
<b>G3516B</b>	JEF N6E	ECM Dry Exhaust Manifolds	Major Overhaul Set	MCB3516211
			In Chassis Set	<i>IN DEVELOPMENT</i>
			Cylinder Head Set	MCB3516213
			Single Head Set	M-3550764
<b>G3520B</b>	BGW CWD GET GLF		Major Overhaul Set	MCB3520011
			In Chassis Set	MCB3520012
			Cylinder Head Set	MCB3520013
<b>G3520B</b>	TPC		Major Overhaul Set	MCB3520011
			In Chassis Set	MCB3520012
			Cylinder Head Set	MCB3520013

## AFTERCooler

PART #	SERIAL NUMBER PREFIX	APPLICATION	REFERENCE
M-1086998	5SJ	3516 Gen Set	
M-1254657	54Z	3516 Off Highway	
M-1268206	4EK - 5PN	G3516	
M-1287053	2PK	3516	M-2873732
M-1357990	4EK	G3516	
M-1402033	1LM	3512	M-2900465
M-1406111	2GR - 8BR - C8T	3508-3512 Off Highway	
M-1418844	2PK - 54Z	3516 Off Highway	M-2902019
M-1433619	7NJ1-252	G3512	
M-1440374	9KF1-104	3516 Vehicular	
M-1490064	2GR	3508B	M-2795668
M-1504794	4KC - 9TG	G3508-G3512	
M-1539370	2GR	3508 Excavator	
M-1591969	25Z	3516 Gen Set	M-2903355
M-1628244	3NS - 7KM	3516 Gen Set	M-2844771
M-1644544	2WK - 3HM - 5SJ - 6TJ - 6WW - 9KF - 23Z 25Z - 24Z - 24Z - 29Z - 49Y - 50Y - 65Z - 66Z 67Z - 68Z - 69Z - 70Z - 71Z - 72Z - 73Z - 95Y - 96Y CMD - CMJ - CNF - CTD - CTF - FDR - GZR - GZX LLF - PTG - PTH - PTK - YAK - YAX - ZAF - ZAL	3512 Gen Set	
M-1649505	7TR	3516 Off Highway	
M-1651679	4EK	G3516	
M-1657766	24Z - 50Y - 51Y - 67Z	3512 Gen Set	M-2903876
M-1658647	7NJ	G3512	
M-1756617	6WN - 8RM - PTF - PTM	3512B Gen Set	
M-1756618	1PW - 2GW - 4AW - PTF - S2G - S2K - S2N	3512	
M-1756619	1GZ - 8RM	3512B Gen Set	
M-1756620	1TW - 2BM - F1X - S2F - TTA - TTB	3508-3512	
M-1756621	4GM	3508B Gen Set	
M-1756623	6HN	3512B Gen Set	
M-1756624	8CN - 8KN	3516B Marine	
M-1756628	1HZ - 7RN	3516 Gen Set	
M-1782975	2PK - 7TR - 54Z	3516 Off Highway	M-2795761
M-1904176	4TN - 8EM	3512B Marine	
M-2174605	7TR - BCK	3516	M-2907155
M-2248998	7YG - 99W	3508 Dozer	
M-4490206	4ZL - 7YG - 99W	3508	M-2907386
M-2842314	24Z - 50Y - 51Y - 65Z - 66Z - 67Z	3512	

## AFTERCoolER CONT...

PART #	SERIAL NUMBER PREFIX	APPLICATION	REFERENCE
M-2843471	1JZ - 95Y	3208 Gen Set	
M-2843916	23Z - 68Z - 70Z - 95Y	3508 Industrial - Gen Set	
M-2843919	24Z - 49Y - 67Z	3512 Industrial - Gen Set	
M-2843970	23Z - 27Z - 29Z - 71Z - 96Y - 97Y	3508	
M-2844010	23Z - 69Z - 96Y	3508 Industrial - Gen Set	
M-2844775	25Z - 27Z - 29Z - 72Z	3516 Marine - Industrial	
M-2844779	25Z	3516 Gen Set	
M-2899211	3MS - 3RS - 24Z - 49Y - 50Y - 66Z - PTG	3512 Marine	
M-2899663	25Z	3516	
M-2899920	25Z - 28Z	3516	
M-2906408	6HN	3516B Gen Set	
M-2906657	1NW - 2FW - 3CW - 8KN - CBN - CDE GZY - LEK - S2S - S2T - S2W	3516B	
M-2911303	8BR	3512	
M-2915417	7NJ - 24Z - 37Z - 49Y - 50Y - 51Y - 65Z - 66Z	3512 Marine - Gen Set - Industrial	
M-3010416	3DW - 7SM - BAG - LPD - S2A - S2E	3508B Marine	
M-3015253	2GR - C8T	3508B	
M-3047205	2GR - C8T - JDM	3508-3512B	
M-3158437	2GR	3508-3508B	
M-3192141	8WM	3516B Off Highway	M-3848602
M-3312454	CTM	G3512-G3516	
M-3939261	BLF - E3W - E3Y - F2X - LLK MKH - NJT - TTF - TTG	3512	
M-4224746	YAM - YAY - ZAH	3512-3524	
M-4246363	YAP - ZAP	3516 Gen Set	
M-4339236	6HN - 8WM	3516	
M-4359948	6HZ - 8CN - JTS - TTD - TTH - TTJ	3516 Marine	
M-4490206	4BW - 8CN - 8KN - 9AN - PAG S2R - S2S - S2X - TAK	3516B Marine	
M-4549087	4EK	G3516	
M-4551146	JEF	G3516B	
M-4575540	4TN - 8EM - S2H - S2L	3508-3512-3516	
M-4575987	1TW - 3DM - 7SM - S2B - S2D - S2E	3508B Marine	



## AFTERCOOLER CONT...

PART #	SERIAL NUMBER PREFIX	APPLICATION	REFERENCE
M-4580430	6PN - DPN	3508B Gen Set	
M-4580905	2GR - 2HW - 6PN	3508 Gen Set	
M-4583967	3PS - 68Z - 69Z - 70Z	3508	
M-4640331	7RN - 8NZ - 8WM - BPJ - FDN - GD3 - GZS - NAM - PBR T2X - YAP - YAT - YAW - YBT - YBW - ZAL - ZAP - ZBP	"3516-3516B Gen Set - Loader"	
M-4640861	8TW - 25Z - YAL - YAS - YBS - ZAL	3516 Gen Set	
M-4641019	7RN - ZAP	3516B Gen Set	
M-4641068	7RN - 7TR	3516B Gen Set	
M-4642432	2EZ - S2J - YAN - ZAJ	3512B Marine	
M-4643567	E3W - E3X - TTC - TTF	3512C Marine	
M-5086019	2GR - 7YG - C8T	3508-3508B	
M-6V5953	23Z - 95Y - 96Y - 97Y	3508	M-2843970
M-6V7260	25Z	3516 Gen Set	
M-6V7446	28Z	3516 Vehicular	
M-6V7451	71Z - 72Z - 73Z	3516	
M-6V8062	23Z - 69Z - 70Z - 95Y	3508 Gen Set	M-2844131
M-7X2843	1ZF - 3YF	3512 Gen Set	
M-7X7711	3YF - 51Y	3512	
M-8C3181	3RC	G3516	
M-8C4382	71Z - 73Z	3516	M-2844800
M-8C4384	51Y	3512 Vehicular	
M-8C6533	27Z	3516 Industrial	
M-8C6979	24Z	3512 Gen Set	
M-9X6591	2JF - 3RC - 4EK - 4KC - 4WD - 5JD - 7NJ - 8LD - 9TG	G3512-G3516	

## AIR COMPRESSOR

PART #	SERIAL NUMBER PREFIX	APPLICATION	REFERENCE
M-1279285	7YG	3508	
M-1388674	2GR - 2PK - 4WJ - 4ZL - 7TR - 8BR - 54Z - 99W - C8T	3508-3512-3516	
M-1427343	2GR - 7TR - 7YG - 8BR	3508-3516	
M-2688134	8BR	3512	
M-3192142	8WM	3516B Off Highway	
M-8T3353	2PK - 4WJ - 7YG - 54Z - 96Z	3508-3512-3516	

## AUXILLARY WATER PUMP

PART #	SERIAL NUMBER PREFIX	APPLICATION	REFERENCE
M-1052546	2JF - 3RC - 4EK - 5PN - 8LD - 9TG	G3516	
M-1095379	1HZ - 2PK - 4WJ - 8BR - 8WM - 9G5 - 9G8 - 9G9 54Z - 7TR - 7YG - 96Z - 99W - B7F - B8F - C8T F2X - FDN - GZS - GZT - GZX - GZY - JDM - LDE LDF - LDJ - LEK - NAM - NJT - PBR - RKT S2G - SK3 - T3P - T3R - T3S - T3W - TKP WF5 - YAT - YAW - YAZ - ZAP - ZAR	3512-3516	
M-1095381	1NW - 4AW - 4ZL - 5PS - 6PN - 7RN	3512-3516	
M-1095382	3RC	G3516	
M-1267949	5SJ	3516 Gen Set	
M-1299918	6PN - 7NJ - 7RN1-421 - 8RM	3508-3512-3516	
M-1388675	2PK - 4WJ	3512-3516	
M-1403069	4TN - 8EM - 8KN - 9AN	3516B	
M-1424924	7TR	3516 Off Highway	
M-1426900	2PK	3516 Off Highway	
M-1433620	7YG - 8BR	3512-3516	
M-1434110	4GM - 7SM	3508B Gen Set	
M-1497045	4EK	G3516	
M-1931468	2FW - 2GR - 3CW - 7TR - 8BR - BPX - C8T CBB - FDE - TTG - YAP - YBT - ZAH	3508-3512-3516	
M-2022175	1PW - 2AF - 2EZ - 2FW - 2GW - 2HW - 4BW 4TN - 6GW - 6PN - 6WN - 8DF - 8EM - 8RM - 9AN 9WF - BCK - CMC - PWG - S2E - S2H - S2J - ZAH	3508-3512B	
M-2688136	8BR	3512	
M-3015255	2GR	3508B	
M-3047206	2GR	3508B Off Highway	
M-3066816	CBN	3516B Marine	
M-3157818	2GR - C8T	3508B	
M-8C5431	2PK	3516 Off Highway	
M-9X6242	2JF - 3RC - 4EK	G3508	

## BEVEL GEAR

PART #	SERIAL NUMBER PREFIX	APPLICATION	REFERENCE
M-1471889	1EE - 9KX	3508 Dozer	
M-1774136	1SY	3508B Dozer	
M-2131306	1SY	3508B Dozer	

## BRAKE COOLER

PART #	SERIAL NUMBER PREFIX	APPLICATION	REFERENCE
M-8C6930	54Z	3516 Off Highway	

## CENTRAL & LOWER ENGINE

PART #	SERIAL NUMBER PREFIX	APPLICATION	REFERENCE
M-1402034	1LM	3512	
M-1403098	7HM	3512B Marine	
M-2028683	99W	3508 Mine Truck - Dozer	M-2762925
M-2046987	4MJ1-177 - 8CN	3516-3516B Marine	M-3053367
M-2047364	4XF - 6HN - 25Z	3516-3516B Gen Set	
M-2984567	3DM - 7SM	3508B	
M-3015269	2GR	3508B	
M-3047207	2GR	3508B	
M-3052312	4WJ	3512 Off Highway	M-4674101
M-3052661	2PK	3516 Excavator	
M-3052662	8BR	3512B Off Highway	
M-3052664	1PW - 3ZW - 5AW - 6PM - 8DF - 8RM - 24Z - 65Z	3508-3512	
M-3052668	2PK - 7TR - 28Z - 54Z	3516	
M-3052669	3CW - 4XF - 5SJ - 7KM - 9KF - 9WF - 25Z 27Z - 71Z - 73Z - BCK	3516	
M-3052674	6WN - 24Z	3512-3512B Gen Set	
M-3052698	2GR	3508	
M-3052700	6TJ	3508	

## CENTRAL & LOWER ENGINE CONT...

PART #	SERIAL NUMBER PREFIX	APPLICATION	REFERENCE
M-3052767	23Z - 68Z - 70Z - 96Y - 97Y	3508	
M-3052768	3LS - 4GM	3508B Gen Set	
M-3053021	7YG	3508	
M-3053329	2GR - 7YG - 99W	3508 Tractor	
M-3053361	7YG	3508 Tractor	
M-3053364	24Z - 50Y - 65Z - 67Z	3512	
M-3053373	4XF - 6HN	3516-3516B Gen Set	
M-3053390	25Z - 27Z - 71Z - 73Z	3516	
M-3053416	1AW - 2CS	3512-3524	
M-3155726	2GR	3508B	
M-3939003	F2X - NJT	3512C Locomotive	
M-3950373	CTF	3508-3512	
M-4218619	2FW - 3CW - 6HZ - 8KN - 9AN - CBN - KEN - S2P S2T - S2Z - SBJ - SBK - SFJ - TTD - TTH - YAP	3516	
M-4220004	2GR - JDM	3508	
M-4270371	2GW - 3RS - 4TN - 7HM - 8EM - 49Y - 50Y - 66Z - 67Z - E3W - E3X - LLB - LLK - PTG - S2G - S2H S2K - S2L - S2N - SLM - TTC - TTF - YAX	3512	
M-4337501	LJW	3508	
M-4337509	LJW	3508	
M-4353163	1PW - 4AW - 8EM - FDE - LLA - PTF - S2G - TTG - YAZ	3512	
M-4400757	2AF	3512B	
M-4436121	JEF - ZBC	G3516B	
M-4549091	4EK	G3516	
M-4577908	CAN - PAG - TTJ	3516C Marine	
M-4580313	3DM - 5PS - 6PN - 7SM - CBB	3508B	
M-4639319	1NW - 4BW - 7RN - 8KN - 8NW - 9AN - BCK BPJ - CDE - FDN - FDX - GS2 - GZS - GZT - GZY JTS - KEN - LEK - NAM - PBR - PES - S2R - S2S S2W - S2X - SEK - TTJ - YAP - YAR - YAT - YAW - YBT - YBW - ZAL - ZAP - ZBP - ZBR	3516	



**CENTRAL & LOWER ENGINE CONT...**

PART #	SERIAL NUMBER PREFIX	APPLICATION	REFERENCE
M-4640893	2JW - 3SS - 8TW - 25Z - 29Z - 72Z - 73Z RKT - SBJ - YAL - YAS - YBS - ZAL	3516	
M-4642662	6HN - 25Z	3516 Gen Set	
M-4671908	2GR - C8T	3508	
M-4931475	6GW - 8RM - CMC - F2X - PTF - PTM PWG - YAY - YAZ - ZAH	3512B Gen Set	
M-4950471	S2D - S2E	3508B-3516	
M-5095705	2GR - C8T - JDM	3508-3512	
M-6V3796	51Y	3512	
M-6V7452	29Z - 72Z - 73Z	3516 Marine	
M-7X2844	1ZF - 2JF	G3508	
M-7X7693	1ZF	3508 Gen Set	
M-7X7710	3YF - 51Y	3512	
M-7X7722	4XF	3516 Gen Set	
M-8C3182	3RC	G3516	
M-8C4385	51Y	3512 Vehicular	
M-8C6978	23Z	3508 Gen Set	
M-8T3344	96Z	3512 Truck	M-3052310
M-9X6243	3RC	G3516	
M-9X6592	72Z	3516 Marine	



## CYLINDER HEAD

PART #	SERIAL NUMBER PREFIX	APPLICATION	REFERENCE
M-1144793	1JZ - 6TJ - 23Z - 68Z - 69Z - 70Z - 95Y - 96Y - 99W	3508	
M-1149437	96Z	3512	M-2932990
M-1151419	7YG	3508 Off Highway	
M-1151432	3MS - 4WJ	3512 Tractor	M-2932920
M-1266669	24Z - 49Y	3512	M-2280745
M-1591542	4MJ1-177 - 4XF - 5SJ - 54H - 25Z - 27Z - 28Z - 29Z - 71Z - 72Z - 73Z	3516	
M-1714116	4WD - 9TG	G3508	
M-1790096	4EK - 5PN - 8LD	G3516	M-2919139
M-2320662	2PK - 3NS	3516	
M-2320663	1GZ - 1PW - 4AW - 4TN - 6WN 7HM - 8BR - 8EM - 8RM	"3512B Truck - Marine"	M-2409649
M-2320664	2GR	3508B	M-2929202
M-2409637	1HZ - 2FW - 6HN - 7RN - 7TR - 8CN - 8KN - 9AN	3516B Marine	M-3436816
M-2409638	9KF - 71Z - 73Z	"3516 Marine - Gen Set"	M-2927078
M-2929090	2JF	G3508	
M-2929121	4KC	G3512	
M-3062364	S2B	3508	M-3436933
M-3066823	CBN	3508-3512-3516	M-3436898
M-3161219	2GR	3508	M-3436912
M-3193863	8WM	3516B Off Highway	M-3436901
M-3196137	8WM	3516B Off Highway	M-3436908
M-3436926	67Z - 73Z	3508-3512-3516	
M-3550762	2JF - 3RC - 4KC	G3508- G3512-G3516	
M-3550764	4EK - 7NJ - CEY	G3508- G3512-G3516	
M-3550765	GAS - GSB - GZA - GZB - GZE - GZG - GZH GZL - GZM - GZN - GZZ - RLP	G3516-G3520	
M-3550767	23Z - 24Z - 29Z - 50Y - 66Z - 67Z 69Z - 70Z - 72Z - 96Y	3508-3512	
M-3550768	2WK - 4MJ1-177 - 6TJ - 9KF - 54Z	3508-3512-3516	
M-3550769	2GR - 6TJ - 23Z - 24Z - 25Z - 27Z - 28Z - 29Z 51Y - 54Z - 65Z - 68Z - 71Z - 72Z - 73Z - 95Y 96Z - 97Y - 99W - CTF - PTG - YAX	3508-3512-3516	
M-3550770	1LM - 1ZF - 4MJ1-177 - 4XF - 5SJ - 51Y	3512-3516	
M-3550771	2PK - 3PS - 3SS	3508-3512-3516	
M-3550772	1PW - 2AF - 2BM - 2GW - 3CW - 4BW 4TN - 5PS - 6HZ - 7HM - 7SM - 7TR 8CN - 8DF - 8EM - 8RM - 9AN - 9WF - BCK	3508B-3512B-3516B	

## CYLINDER HEAD CONT...

PART #	SERIAL NUMBER PREFIX	APPLICATION	REFERENCE
M-3550773	1PW - 1TW - 2AF - 2BM - 2FW - 2GW - 3CW 3DM - 3DW - 4BW - 4TN - 7HM - 7SM 8CN - 8DF - 8EM - 8KN - 9AN - 9WF - BAG CBN - CDE - DPN - E3W - E3X - E3Y - F1X - FFG JTS - LPD - MKH - PAG - PWG - S2A - S2E S2F - S2H - S2K - S2L - S2M - S2N S2P - S2S - S2T - S2W - S2X - SLM TAK - TTA - TTD - TTH - TTJ	3508-3512-3516	
M-3550774	2GR - 2PK - 3LS - 3MS - 3NS - 4WJ - 6PM - 7KM - 7YG	3508-3512-3516	
M-3550775	2GR - 4AW - 4GM - 5AW - 6HN - 6WN - 7TR 8BR - 8RM - BPJ - C8T - FDN - PTM	3508-3512-3516	
M-3550776	2EZ - 2GR - 4AW - 4GM - 5AW - 6HN - 6PN - 6WN 7RN - 7TR - 8BR - 8EM - 8KN - 8RM - 8WM - 9AN - 95Y B7F - C8T - GZS - JDM - KEM - LLA - LLB - PTF R1A - R1S - RMS - SBG - SBJ - SEK - SFJ - SLM - T3P T3R - TTB - TTC - YAM - YAN - YAZ - ZAH - ZAJ - ZAP	3508-3512-3516	
M-3666189	54Z	3516 Truck	
M-3674286	2PK	3516 Off Highway	
M-3E3329	1ZF - 3YF - 4XF	"3508-3512-3516 Gen Sets"	
M-4420681	2GR - 2PK - 54Z - 65Z - 71Z - 96Z - 99W	3508-3512-3516	
M-4421340	2GR - 7TR - 8BR - 8NZ - 8WM B8F - BCK - BRC - C8T	"3508B-3512B- 3516-3516B"	
M-4421702	F1X - F2X - NJT - PWG - T2X	"3508-3512-3516 Locomotive"	
M-4422005	2GR - 2PK - 4WJ - 7YG - B7F	3508-3512-3516	
M-4425189	3ZW - 5PS - 6HZ - 7TR - BCK	3508-3512-3516	
M-4549181	4EK - 7NJ - CTN - DLR - WPN - ZBA	G3516	
M-4551151	JEF	G3516B	
M-4582919	2HW - 6PN - CBB - LLC - LLE	3508	
M-4582952	1TW - 2BM - 3DM - 4TN - 7HM - 7SM MHA - S2B - S2D - S2E - YAP	"3508B-3512B Marine"	
M-4583417	6WW - 23Z - 24Z - 49Y - 68Z - 69Z - 70Z - 95Y CMD - CMJ - CNF - CTD - CTF - FDR - GZR GZX - PTG - PTH - PTK - ZAF - ZAL	3508-3512-3516	
M-4621307	3ZW	3512B	
M-4639257	1NW - 2JW - 4AW - 6GW - 7RN - 8NW - 8RM - 9G8 9G9 - BLF - BPJ - CAN - CMC - FDN - FDX - GD3 GZS - GZY - KEN - LDF - LDJ - LEK - MLM - NAM PBR - PTM - SBK - SK3 - YAP - YAR - YAT - YAW - YAY YBT - YBW - ZAH - ZAJ - ZAL - ZAP - ZBP - ZBR	3508-3512-3516	
M-4640896	8TW - 25Z - 67Z - 73Z - RKT - YAL - YAS - YBS - ZAL	3508-3512-3516	
M-8C6532	27Z - 71Z	3516 Industrial	
M-9X8304	27Z - 71Z	3516 Industrial	

## EXHAUST MANIFOLD

PART #	SERIAL NUMBER PREFIX	APPLICATION	REFERENCE
M-1002944	4MJ	3516 Marine	
M-1002945	4MJ1-177 - 5SJ	3516	
M-1265777	28Z	3516	
M-1267951	4XF - 5SJ - 6HN	3516 Gen Set	
M-1300142	4AW - 6WN - 8RM	3512B Gen Set	
M-1300919	4GM - 6PN	3508B	
M-1388678	4WJ	3512	
M-1402037	1LM	3512	
M-1406115	2GR - C8T	3508	
M-1427347	7YG	3508	
M-1440377	9KF1-104	3516 Vehicular	
M-1444265	7YG	3508	
M-1447669	4WJ	3512 Off Highway	
M-1454681	23Z - 70Z - 95Y	3508	
M-1458730	99W	3508 Off Highway	
M-1468946	6WW - 24Z - 49Y - 65Z - 67Z	3512	
M-1490069	2GR	3508B	M-2795679
M-1494706	54Z	3516 Wheel Loader	
M-1499308	2GR	3508B Dozer	M-2915432
M-1503343	54Z	3516 Off Highway	
M-1518510	2GR - 99W	3508 Dozer	
M-1539373	2GR	3508 Excavator	
M-1544250	8BR	3512B Off Highway	
M-1591971	25Z	3516 Gen Set	
M-1628246	7KM	3516 Gen Set	
M-1643618	1HZ - 7RN	3516B Gen Set	
M-1644424	1GZ - 8RM	3512B Gen Set	
M-1649509	7TR	3512B Off Highway	
M-1709178	4MJ1-177	3516 Marine	
M-1709180	8CN - 8KN - 9AN	3512B Marine	
M-1709182	4TN - 7HM - 8EM	3512B Marine	
M-1709183	2PK - 7TR	3516 Off Highway	
M-1709188	54Z	3516 Mine Truck	
M-1709190	2FW	3516B Marine	
M-1709192	2FW	G3516	
M-1892185	2GW	3512B Marine	
M-2001877	67Z - PTM	3512-3512B Gen Set	
M-2011526	2HW - 3LS - CBB	3508B Gen Set	

## EXHAUST MANIFOLD CONT...

PART #	SERIAL NUMBER PREFIX	APPLICATION	REFERENCE
M-2129535	23Z - 69Z - 70Z - 95Y - 96Y	3508 Marine	
M-2129557	2JF - 4WD - 9TG	G3508 - G3516	
M-2129586	4WD	G3508	
M-2135233	24Z - 50Y - 66Z - 67Z	3512 Gen Set - Marine	
M-2136159	4KC - 5JD	G3512	
M-2138467	3RC - 4EK - 5PN - 8LD	G3516	
M-2138798	25Z - 29Z - 72Z - 73Z	3516 Gen Set - Marine	
M-2139312	3RC - 8LD	G3516	
M-2139858	72Z - 73Z	3516 Gen Set - Marine	
M-2146873	3RC	G3516	
M-2167039	7NJ	G3512	
M-2167075	7NJ	G3512	
M-2216945	9AN - BCK	3516B Marine - Locomotive	
M-2216976	CBN	3516	
M-2219282	3PS	3508 Marine	
M-2826633	2BM - 7SM	3508B Marine	
M-3061785	GZS	3516B Gen Set	
M-3064405	LLA	3512C Petroleum	
M-6V3768	24Z - 50Y - 51Y	3512	
M-6V5499	68Z - 95Y - 97Y	3508 Gen Set	
M-6V5951	23Z - 69Z - 70Z - 96Y	3508	
M-6V6433	65Z	3512 Industrial - Gen Set	
M-6V7256	25Z - 28Z - 71Z - 73Z	3516	
M-6V7257	25Z	3516	
M-7X2849	4KC	G3512	
M-7X7692	1ZF	3508 Gen Set	
M-7X7708	3YF - 51Y	3512	
M-8C3168	99W	3508 Dozer	
M-8C3180	5KD	G3516	
M-8C6928	54Z	3516 Off Highway	
M-8C6976	23Z	3508 Gen Set	
M-8T3341	96Z	3512 Off Highway	
M-8T8186	24Z - 51Y - 65Z	3512 Gen Set	
M-9X8308	68Z - 97Y	3508 Gen Set	
M-9X8309	24Z - 49Y - 51Y - 65Z - 67Z	3512 Gen Set	
M-9X8310	51Y	3512 Gen Set	
M-9X8311	3MS	3512 Gen Set	

## EXHAUST MANIFOLD CONT...

PART #	SERIAL NUMBER PREFIX	APPLICATION	REFERENCE
M-9X8313	25Z - 28Z - 71Z - 73Z	3516	
M-9X8314	99W	3508 Dozer	
M-9X8315	99W	3508	
M-9X8316	96Z	3512 Off Highway	
M-9X8317	25Z - 54Z	3516 Off Highway	

## EXTERNAL OIL PUMP

PART #	SERIAL NUMBER PREFIX	APPLICATION	REFERENCE
M-1187860	2WK - 4GM	3508-3512-3516	
M-1266666	4KC586-Up - 25Z	G3512-G3516	
M-1267952	5SJ	3516 Gen Set	
M-1300922	1PW - 2FW - 3CW - 5AW - 6PM - 7KM - 8DF	3508B Gen Set	
M-1358813	"49Y - 486 - 925 - 65Z602-886 24Z - 49Y - 50Y - 65Z"	3512-3516	
M-1388681	4WJ	3512	
M-1418850	2PK - 3ZW - 54Z	3516 Off Highway	
M-1497051	4EK - 4KC	G3512-G3516	
M-1544252	8BR	3512B Truck	
M-1975346	2GR - 7YG - 99W - C8T	3508-3516	
M-2190280	1LM - 1PW - 2BM - 2EZ - 2FW - 2GW - 2HW - 2JW 2PK - 3CW - 3LS - 3MS - 3NS - 3PS - 3RS - 3SS 4AW - 4BW - 4GM - 4MJ1-177 - 4TN - 4WJ - 4XF 5AW - 6GW - 6HN - 6PM - 6PN - 6WN - 6WW - 7HM 7KM - 7SM - 7TR - 8BR - 8CN - 8DF - 8EM - 8KN - 8RM 97Y - 9AN - 9WF - 23Z - 24Z - 25Z - 27Z - 28Z - 29Z 49Y - 50Y - 51Y - 54Z - 65Z - 66Z - 67Z - 68Z - 69Z 70Z - 71Z - 72Z - 73Z - 95Y - 96Y - BCK - FDN - ZAP	3508-3512-3516	
M-2981919	CBB	3508B Industrial	
M-3010591	3DM	3508B Marine	
M-3015277	2GR	3508B	
M-3061796	GZS	3516B Gen Set	
M-3062339	S2B	3508	
M-3127758	8WM - 67Z - S2J - YAM - ZAH	3512B	
M-3157801	2GR - 7TR - 8NZ - 8WM - JDM	3508-3512-3516	
M-3193830	8WM	3516B Off Highway	
M-3491409	7TR - 8BR - CBN	3508-3512-3516	
M-4378254	2FW - 6HZ - 8WM - 9AN - 54Z - F1X - SLM	3508-3512-3516-3520	
M-9X6248	54Z	3516	
M-9X6599	5SJ - 27Z	3508-3512-3516	

## EXPANSION TANK

PART #	SERIAL NUMBER PREFIX	APPLICATION	REFERENCE
M-6V3783	23Z - 24Z - 25Z - 29Z - 50Y - 66Z 67Z - 69Z - 70Z - 72Z - 73Z - 96Y	3508 - 3512 - 3516	

## FRONT ENGINE STRUCTURE

PART #	SERIAL NUMBER PREFIX	APPLICATION	REFERENCE
M-1063381	2PK - 4WJ	3512-3516	
M-1109445	7YG	3508 Tractor	
M-1187855	2WK - 4MJ1-177	D&G 3500	
M-1210917	4XF - 5SJ - 6WN	3516 Gen Set	
M-1265778	28Z - 5SJ	3516	
M-1268140	4MJ1-177	3516 Marine	
M-1268208	5PN	G3516	
M-1286253	7YG	3508 Excavator	
M-1287056	2PK	3516 Excavator	
M-1299921	4GM - 6HN - 6WN - 8RM	D&G 3500	
M-1388677	4WJ	3512	
M-1401366	8CN	3512B Marine	
M-1402036	1LM	3512	
M-1403105	2BM - 7HM	3508B Marine	
M-1406114	2GR	3508	
M-1418848	2PK	3516 Off Highway	
M-1424927	4GM - 6HN - 7TR	3508B - 3516B	
M-1426901	2PK	3516 Off Highway	
M-1427346	7YG	3508	
M-1433623	4EK - 7NJ1-252 - 7RN	D&G 3512-G3516	
M-1452569	1PW - 2FW	3508B-3512B-3516B Marine	
M-1454680	23Z - 68Z - 70Z - 95Y	3508 Industrial - Gen Set	
M-1454923	4XF - 24Z - 65Z - 71Z - 73Z	3508-3512-3516	
M-1457813	4KC - 39Z - 50Y - 66Z - 70Z - 72Z - 96Y	3508-3512-3516	
M-1458729	99W	3508 Off Highway	
M-1490068	2GR	3508B Wheel Loader	
M-1494704	54Z	3516 Wheel Loader	
M-1497048	4EK - 4KC - 8LD - 9TG	G3508- D&G 3512-G3516	

All manufacturer's names, numbers, symbols and descriptions are used for reference purposes only and does not imply that any part listed is the product of these manufacturers.



## FRONT ENGINE STRUCTURE CONT...

PART #	SERIAL NUMBER PREFIX	APPLICATION	REFERENCE
M-1503342	54Z	3516 Off Highway	
M-1504056	54Z	3516 Off Highway	
M-1518509	99W	3508 Tractor	M-2902522
M-1539372	2GR	3508 Excavator	M-2832244
M-1544249	8BR	3512B Off Highway	
M-1628245	3NS - 7KM	3516-3516B Gen Set	
M-1636529	7TR	3516 Off Highway	
M-1641914	3ZW	3508-3512	
M-1642281	1JZ - 1LZ	3508-3516 Gen Set	
M-1643617	1HZ	3516B Gen Set	
M-1644423	1GZ	3512B Gen Set	
M-1644546	1KZ	3512 Gen Set	
M-1649508	7TR	3516B Off Highway	
M-1651681	4EK - 7NJ - 7RN	G3512-G3516	
M-1652321	29Z	3516 Marine	
M-1657573	1ZF - 3MS - 4XF - 23Z - 24Z - 51Y - 95Y - 97Y - 99W	3516 Marine	
M-1657767	67Z	3512 Gen Set	
M-2323372	23Z - 70Z	3508	
M-2688144	8BR	3512	
M-3010583	7SM	3508B Marine	
M-3047208	2GR - 8BR - JDM	3508-3512-3516	
M-3061783	GZS	3516B Gen Set	
M-3950536	F1X	3508C Locomotive	
M-3E8915	7YG	3508	
M-3E9882	54Z	3516 Wheel Loader	
M-4237841	ZAP	3516B Gen Set	
M-4263514	1PW - 3DW - 8EM - E3W - E3X - E3Y - LLB S2A - S2G - S2K - S2N - SLM - TTF - TTG	3508-3512	
M-4287330	PTG - YAK - YAX - ZAF	3512 Gen Set	
M-4337511	LJW	3508-3508B	
M-4346514	4AW - LLA - RMS - YAM - ZAH	3508-3512-G3516	
M-4360086	1TW - 2FW - 7SM - 8KN - 9AN - BAG - CBN E3W - PES - S2B - S2E - S2J - S2L - S2P S2T - SLM - TTB - TTC - TTF - TTH	3508-3512-3516	
M-4400769	2AF - GD3	3512B-3516B	

All manufacturer's names, numbers, symbols and descriptions are used for reference purposes only and does not imply that any part listed is the product of these manufacturers.

## FRONT ENGINE STRUCTURE CONT...

PART #	SERIAL NUMBER PREFIX	APPLICATION	REFERENCE
M-4549090	4EK - CTL - L6K - L6L - WPW	G3508-G3516	
M-4579709	29Z - 50Y - 51Y - 66Z - 69Z - 72Z - 95Y - 96Y - S2K	3508-3512-3516	
M-4582902	6PN	3508B Gen Set	
M-4600638	1NW - 2EZ - 3DM - 4TN - 8EM - S2B - S2D - S2H - S2J - S2L	3508B-3512B-3516B	
M-4620793	49Y - 70Z - 73Z - 95Y	3512-3516 Gen Set	
M-4640483	7RN - BPJ - FDN - GZS - GZY - NAM - PBR - YAT - YAW - YBT - YBW - ZAL - ZAP - ZBP - ZBR	3512-3516	
M-4640894	8TW - 25Z - YAS - YBS - ZAL	3508-3512-3516 Gen Set	
M-4641453	4AW - 7RN - 8RM - CAN - PWG - YAN - ZAH - ZAJ	3512B	
M-4651573	"2GW - 3PS - 3RS - 3SS - 4BW - 4TN - 7HM 8KN - 9AN - CDE - JTS - JTS - PAG - S2L - S2R S2S - S2W - S2X - TTA - TTD - TTJ"	3508-3512-3516	
M-4923478	6GW - 8RM - CMC - PTF - PTM - YAY - ZAH	3512B Gen Set	
M-4925099	2WK - 3HM - 5SJ - 6HN - 6TJ - 9KF - 23Z - 24Z 25Z - 27Z - 29Z - 49Y - 50Y - 65Z - 66Z - 67Z 68Z - 69Z - 70Z - 71Z - 72Z - 73Z - 95Y - 96Y CMD - CMJ - CNF - CTD - CTF - FDR - GZR GZX - LLF - PTG - PTH - PTK - ZAF - ZAL	3508-3512-3516	
M-4983525	YAP - YAR	3512-3516 Gen Set	
M-6V3776	24Z - 25Z - 27Z - 28Z - 51Y - 65Z - 67Z - 71Z - 73Z	3508-3512-3516	
M-6V5980	95Y - 96Y	3508	
M-6V5982	50Y - 65Z - 66Z	3508-3512	
M-8C5459	54Z	3516 Truck	
M-8T3346	54Z - 96Z	3516 Truck	
M-8T7821	99W	3508	
M-8T8189	38Z - 65Z - 71Z	3512 - 3516	
M-9X6594	1ZF	D&G 3512 - G3516	

## FUEL SYSTEM

PART #	SERIAL NUMBER PREFIX	APPLICATION	REFERENCE
M-1002943	4MJ	3516 Marine	
M-1051863	4KC	G3512	
M-1063380	2PK - 4WJ - 7HM - 8BR - 8CN	3512-3516 Off Highway	M-2854191
M-1086999	2WK - 25Z	3512 Vehicular - 3516 Gen Set	

## FUEL SYSTEM CONT...

PART #	SERIAL NUMBER PREFIX	APPLICATION	REFERENCE
M-1187854	7NJ - 9TG	G3512	
M-1188191	4EK	G3516	
M-1287055	2PK	3516 - 3516B	
M-1299920	2FW - 4TN - 7RN - 8KN - 9AN	3512B-3516B	
M-1300141	1PW - 4AW - 8EM - 8RM	3512B Marine - Gen Set	
M-1300918	2HW - 3DM - 6PN - 7SM	3508B Marine - Gen Set	
M-1388676	4WJ	3512 Tractor - 3512B Marine	
M-1401727	4GM - 6HN - 6WN	3508B-3512B- 3516B Gen Set	
M-1402035	1LM	3512	
M-1418847	2PK - 7YG	3508B Marine - 3516 Truck	
M-1419635	7YG	3508 Dozer - Truck	M-2855340
M-1424926	7TR	3516B Off Highway	M-2855342
M-1440375	1JZ - 6TJ1-13 - 9KF1-104 - 23Z	3508 Locomotive	
M-1454679	68Z - 95Y	3508 Industrial	
M-1455934	23Z - 70Z	3508 Gen Set	
M-1457812	69Z	3508 Marine	
M-1457817	69Z - 96Y - 97Y	3508 Marine	
M-1458728	99W	3508 Off Highway	M-2862431
M-1468945	49Y - 65Z - 67Z	3512	
M-1469768	1KZ - 3YF - 24Z - 67Z	3512 Gen Set	
M-1470183	50Y - 66Z	3512 Marine	
M-1475079	3RC	G3516	
M-1475961	1LZ - 4XF - 25Z - 73Z	3516 Gen Set	
M-1490067	2GR	3508-3508B	M-2855525
M-1494703	54Z	3516 Off Highway	M-2855534
M-1496361	2PK	3516B Off Highway	M-2855841
M-1518508	99W	3508 Dozer	M-2855865
M-1544248	8BR	3512B Off Highway	M-2855867
M-1641913	1FZ - 5PS	3508B Vehicular - Gen Set	
M-1643616	1HZ	3516B Gen Set	
M-1644421	1GZ	3512B Gen Set	
M-1649507	7TR	3516B Off Highway	M-2855892
M-1714108	7NJ - 9TG	G3508-G3512	
M-1714109	7NJ	G3512	
M-1714110	7NJ	G3512	

## FUEL SYSTEM CONT...

PART #	SERIAL NUMBER PREFIX	APPLICATION	REFERENCE
M-1714112	4EK	G3516	
M-1722386	25Z	3516 Gen Set	
M-2688142	8BR	3512-3512B Off Highway	
M-2688154	1NW - 1PW - 1TW - 2AF - 2BM - 2EZ - 2FW 2GW - 2GR - 2HW - 2PK - 3CW - 3DM - 3DW 3PS - 3RS - 3SS - 3ZW - 4AW - 4BW - 4DR 4GM - 4TN - 5PS - 6GW - 6HN - 6HZ - 6PN 6WN - 7HM - 7RN - 7SM - 7TR - 7YG - 8BR 8CN - 8DF - 8EM - 8KN - 8NW - 8NZ - 8RM 8WM - 9AN - 9G8 - 9G9 - 9WF - B7F - B8F BAG - BCK - BLF - BPJ - BPX - BRC - C8T CAN - CBB - CBN - CDE - CMC - E3W - E3X E3Y - ED2 - EDY - F1X - F2X - FDN - FDX FFG - GD3 - GS2 - GZS - GZT - GZY - JCN JDM - JM3 - JTS - KEN - LDF - LDJ - LEK - LLA LLB - LLC - LLE - LLK - LPD - MHA - MKH - MLM NAM - NJT - NSC - PAG - PBR - PES - PTF PTM - PWG - R1A - R1S - RMS - S2A - S2B S2D - S2E - S2F - S2G - S2H - S2J - S2K - S2L S2M - S2N - S2P - S2R - S2S - S2W - S2X S2Z - SBG - SBJ - SBK - SEK - SFJ - SK3 - SLM TAK - TTA - TTB - TTC - TTD - TTF - TTG - TTH TTJ - WF3 - WF5 - YAM - YAN - YAP - YAR - YAT YAW - YAY - YAZ - YBB - YBD - YBT - YBW ZAH - ZAJ - ZAL - ZAP - ZAR - ZBP - ZB	3508-3512-3516	
M-2853587	2GR - 7YG - C8T	3508	
M-2855894	1PW - 2EZ - 2FW - 2GW - 2HW - 2JW - 3CW 3PS - 3RS - 3SS - 3ZW - 4AW - 4BW - 4TN - 5AW 6GW - 6PM - 6PN - 7KM - 7SM - 8DF - 8EM - 8KN 8RM - 9AN - 9WF - BCK - CMC - FDN - ZAH - ZAP	3508B-3512B-3516B Gen Set	
M-2857937	25Z - 27Z - 70Z - 73Z	3508-3512-3516	
M-2981908	CBB	3508B Industrial	
M-3010431	3DM	3508B Marine	
M-3047209	2GR	3508B Off Highway	
M-3062329	S2B	3508B Marine	
M-3064403	LLA	3512C Petroleum	
M-3066820	1NW - 2FW - 3CW - CBN	3516B Marine	
M-3127691	67Z	3512 Gen Set	
M-3156218	2GR - C8T	3508B Wheel Dozer - Loader	
M-3488631	DLS	3508-3508B	
M-3E3288	4KC	G3512	
M-3E9880	54Z	3516 Wheel Loader	
M-6V5994	70Z	3508 Gen Set	
M-6V5996	51Y	3512 Vehicular - Industrial	

## FUEL SYSTEM CONT...

PART #	SERIAL NUMBER PREFIX	APPLICATION	REFERENCE
M-6V5998	50Y	3512 Industrial - Marine	
M-6V6354	24Z	3512 Gen Set - Industrial	
M-6V6356	66Z - 69Z - 96Y	3508-3512 Marine	
M-6V6434	25Z - 72Z - 73Z	3512-3516 Marine - Gen Set	M-2853610
M-6V7468	29Z	3516 Marine	
M-7X2848	4KC	G3512	
M-7X7709	3YF - 4XF - 9KF	3516 Locomotive - Gen Set	
M-8C4058	65Z	3512 Industrial	
M-8C4380	25Z	3516 Gen Set	
M-8C4383	73Z	3516 Gen Set	
M-8C4410	27Z - 29Z - 71Z - 72Z	3516 Marine - Industrial	
M-8C5452	54Z	3516 Off Highway	
M-8C6788	99W	3508 Dozer	
M-8C6929	54Z	3516 Off Highway	M-2854113
M-8C6974	1ZF - 23Z	3508 Gen Set	
M-8T3352	96Z	3512 Off Highway	M-2860673
M-8T7886	50Y - 66Z - 69Z - 96Y - 97Y - 99W	3512 Marine	
M-8T8190	24Z - 67Z	3512 Gen Set	
M-8T9024	49Y - 68Z - 95Y	3512 Locomotive	
M-9X6593	3RC	G3516	

## HYDRAULIC CONTROLS

PART #	SERIAL NUMBER PREFIX	APPLICATION	REFERENCE
M-1063389	2BE - 6LE	"3512-3516 Off Highway"	M-1064569
M-8T7510	1FX - 1SC - 2PE	3508-3512B	

## OIL COOLER & LINES

PART #	SERIAL NUMBER PREFIX	APPLICATION	REFERENCE
M-1002946	4MJ1-177	3516 Marine	
M-1109446	7YG	3508 Dozer	
M-1187859	2JF - 3RC - 4EK - 4WD - 5JD 7NJ - 8LD - 9TG - 25Z	G3508- G3512-G3516	
M-1263256	4MJ1-177 - 7KM - 28Z - 95Y	3516	
M-1264178	5SJ	3516	
M-1268209	5PN	G3516	
M-1286255	7YG	3508 Excavator	
M-1287057	2PK - 3NS - 4XF	3508-3516	
M-1299923	7RN1-421 - 8RM	3512B Gen Set	
M-1300921	3DM - 6PN - 7SM	3508B Marine - Gen Set	
M-1358812	3ZW - 8RM - 65Z - 71Z - 73Z	3512-3516	
M-1401153	5SJ	3512-3516	
M-1401367	7HM - 8CN	3512B - Marine	
M-1406116	2GR	3508	
M-1424929	7TR	3516 Mine Truck	
M-1426902	2PK	3516 Off Highway	
M-1427348	7YG	3508	
M-1454682	23Z - 68Z - 69Z - 70Z	3508 Marine	
M-1468947	6TJ - 65Z	3512-3516	
M-1490071	2GR	3508-3508B	
M-1494707	54Z	3516 Wheel Loader	
M-1497050	GZX - RKT	G3516	
M-1499310	2GR - 7YG	3508 Dozer	M-2155562
M-1499311	2GR	3508B Dozer	
M-1504058	54Z	3516 Mine Truck	
M-1512147	7YG	3508 Dozer	
M-1518511	99W	3508 Dozer	M-2323373
M-1539374	2GR	3508 Excavator	
M-1544251	8BR	3516B Off Highway	
M-1649510	7TR	3516B Off Highway	
M-1722294	25Z	3516 Gen Set	
M-1782987	2PK - 7TR - 54Z	3516 Off Highway	
M-2688150	8BR	3512 Tractor 3412B Truck	

All manufacturer's names, numbers, symbols and descriptions are used for reference purposes only and does not imply that any part listed is the product of these manufacturers.



**OIL COOLER & LINES CONT...**

PART #	SERIAL NUMBER PREFIX	APPLICATION	REFERENCE
M-2947366	1LM - 4GM - 6WN - 24Z	3508B-3512-3512B Gen Set	
M-2981915	7SM	3508B Industrial	
M-3015276	2GR	3508B	
M-3047210	JDM	3508	
M-3061795	GZS - YAM - ZAH	3512B Gen Set	
M-3157857	2GR - C8T	3508B Dozer	
M-3193828	8WM	3516B Off Highway	
M-4260447	1TW - 2FW - 3DW - 4AW - 6HZ - 8EM - 9AN BAG - CTF - E3W - E3Y - LLA - PTG RMS - S2A - S2E - S2G - S2L - S2P - S2T TTB - TTF - TTH - ZAH - ZAP	3508-3512-3516	
M-4337502	LJW	3508 Off Highway	
M-4400817	2AF - LLB	3512B	
M-4415230	2AF - FFG - LLA - LLB - MHA - PWG - YAZ	3512-3516	
M-4571023	69Z - 70Z - 96Y	3508	
M-4575251	1NW - 2HW - 3DM - 6PN - 7SM - 24Z - 27Z - 50Y 65Z - 67Z - 68Z - 69Z - 70Z - 71Z - 95Y - 96Y CBB - F1X - LLC - S2B - S2D - S2E - TTA	3508-3512-3516	
M-4576092	3DW - 8RM - LLE - SBG - SFJ - YAZ	3508-3512-3516	
M-4598287	2GR - C8T	3508-3512B	
M-4620795	8KN - 8TW - 23Z - 24Z - 25Z - 29Z - 49Y - 50Y 66Z - 67Z - 69Z - 70Z - 72Z - 95Y - JCN - RKT T3R - YAL - YAS - YBS - ZAL - ZAP	3508-3512-3516	
M-4639564	2GW - 3CW - 3PS - 3RS - 3SS - 4TN 8KN - CDE - FFG - GD3 - KEN - NAM	3512-3516	
M-4640329	2EZ - 4AW - 4TN - 7RN - 8EM - 8NW - 72Z - BLF BPJ - CBN - E3W - E3X - FDN - FDX - GS2 - GZS GZT - GZY - LEK - LLK - NAM - PBR - PES PWG - S2G - S2H - S2J - S2K - S2L - S2N - S2S S2W - S2X - TTC - TTD - TTF - YAM - YAR - YAT YAW - YBT - YBW - ZAH - ZAL - ZAP - ZBP - ZBR	3508-3512-3516	
M-4640895	6GW - 24Z - 29Z - 50Y - 66Z - 73Z - YBS	3512-3516	
M-4642709	6HN - 25Z - 51Y - CAN - ZAH	3516 Gen Set	
M-4643645	4BW - 4TN - 8EM - 8KN - 9AN - S2R - S2S S2X - YAT - YAW - ZAR	3512B-3516B Marine	
M-4660674	1TW - 3DM - 7SM - SBJ	3508B Marine	
M-4671967	2GR - 4ZL - 99W - C8T - JDM	3508 Truck 3508B Tractor	

**OIL COOLER & LINES cont...**

PART #	SERIAL NUMBER PREFIX	APPLICATION	REFERENCE
M-4920914	2JW - 2WK - 3HM - 5AW - 5PS - 5SJ - 6TJ 6WW - 8RM - 9G8 - 9KF - 23Z - 24Z - 25Z - 27Z 29Z - 49Y 50Y - 65Z - 66Z - 67Z - 68Z - 69Z 70Z - 71Z - 72Z - 73Z - 95Y - 96Y - BCK - CMC CMD - CMJ - CNF - CTD - CTF - FDR - GZR GZX - LDF - LLF - PTF - PTG - PTH - PTK PTM - T2X - T3P - YAN - YAP - YAR - YAX YAY - ZAF - ZAH - ZAJ - ZAL	3508-3512-3516	
M-6V1509	1AF - 51Y	3306-3512	
M-6V3782	24Z - 50Y	3512 Gen Set - Marine	
M-6V3797	51Y	3512 Vehicular	
M-6V4708	2PK	3516	
M-6V5903	95Y	3508 Industrial	
M-6V7263	25Z - 27Z - 29Z - 71Z - 72Z - 73Z	3516	
M-7X7726	3YF - 4XF - 9KF	3512-3516	
M-8C3170	99W	3508 Dozer	
M-8C4386	23Z - 24Z	3508-3512 Gen Set	
M-8C5493	54Z	3516 Truck	
M-8T3351	51Y - 96Z	3512 Vehicular	
M-8T4866	3RC - 4KC - 24Z - 25Z - 27Z - 29Z - 49Y 50Y - 65Z - 66Z - 67Z - 68Z - 69Z 71Z - 72Z - 73Z - 95Y - 96Y	3512-3516	M-4575251
M-8T7826	99W	3508	
M-8T7887	97Y	3508 Vehicular	
M-9X6247	3RC - 4EK	G3516	
M-9X6598	5SJ - 27Z	3508-3512-3516	
M-9X8261	23Z	3508 Gen Set	

**OIL PUMP**

PART #	SERIAL NUMBER PREFIX	APPLICATION	REFERENCE
M-4227389	1PW - 4AW - 4TN - 7SM - 8EM - CMC - E3X - E3Y KEN - LLA - LLB - PES - PTF - PTG - R1A - RMS S2E - S2G - S2H - S2K - S2L - S2N - S2P - SBG SBJ - SFJ - T2X - TTC - TTD - TTH - YAK - YAM YAN - YAR - YAX - YAY - YAZ - ZAF - ZAH - ZAJ	3508-3512-3516	
M-6V1531	49Y - 50Y	3512	
M-6V3775	24Z - 49Y - 50Y - 51Y	3512	
M-6V5502	95Y	3508 Industrial	
M-7X7696	1ZF	3512 Gen Set	
M-7X7714	2JF - 3YF - 4KC - 4XF - 9KF - 25Z - 51Y	3508-3512-3516	
M-8T3345	96Z	3512 Truck	

## REAR ENGINE STRUCTURE

PART #	SERIAL NUMBER PREFIX	APPLICATION	REFERENCE
M-1109447	7YG	3508 Dozer	M-2923144
M-1286256	7YG	3508 Excavator	M-2923495
M-1287059	2PK	3516B Excavator	M-2923526
M-1490073	2GR	3508B Wheel Loader	M-2923522
M-1518512	99W	3508 Dozer	M-2923506
M-1537514	2PK	3516 Excavator	M-2923502
M-1539376	2GR	3508 Excavator	M-2831707
M-1782982	1PW - 2BM - 2FW - 3CW - 3ZW	3508-3512-3516	
M-1986060	2PK - 7TR - 54Z	3516 Off Highway	
M-2003887	2JW - 3NS - 4GM - 6HN - 6WN 7KM - 8RM - CMC - ZAH	3508-3512-3516	
M-2011519	2WK - 3MS - 4AW - 5AW - 6TJ - 8RM - 23Z 24Z - 65Z - 67Z - 71Z - 70Z - 73Z	3508-3512-3516	
M-2044442	2GR - 7YG - C8T	3508-3508B Dozer	M-4682849
M-2069982	1LM - 4MJ1-177 - 4XF - 5SJ 7HM - 8CN - 25Z - 27Z - 51Y	3512-3516	
M-2072434	2JF - 3RC - 4EK - 4KC - 4WD 5JD - 5PN - 7NJ - 8LD - 9TG	G3508- G3512-G3516	
M-2072443	7KM - 28Z - 51Y - 97Y	3508-3512-3516	
M-2923127	54Z	3512-3516	
M-2981997	3DM - GZA - GZB - GZM - RLP	3508B-3508C	
M-3015281	2GR	3508B Wheel Dozer	
M-3047211	7TR - JDM	3508-3516	
M-3061797	GZS - YAM - ZAH	3512B Gen Set	
M-3062344	3DW - 4AW - S2A	3508B Marine 3512B Gen Set	
M-3066826	CNF	3516B Marine	
M-3193839	7TR - 8WM	3516B Off Highway	
M-3312506	5AW - GZT - GZX - GZY - LEK - PBR - RKT	D&G 3512-3516	
M-3492848	8WM	3516B Off Highway	
M-3939135	F2X - LLB	3508C-3512C Locomotive	
M-4239461	2GW - 3DM - 3PS - 3RS - 3SS - 4AW - 4TN - 8EM 8TL - 49Y - 73Z - F1X - F2X - LLA - NJT - S2G S2H - S2K - S2L - S2S - S2W - T2X	3508-3512-3516	

## REAR ENGINE STRUCTURE

PART #	SERIAL NUMBER PREFIX	APPLICATION	REFERENCE
M-4256713	7HM - BCK - BPX - BRC - PES - RMS S2D - S2E - S2J - S2P - S2Z	3508-3512-3516	
M-4288777	6PN - CBN - TTG - YAM - YAP - ZAH - ZAP - ZAR	3512-3516	
M-4389575	2AF - CAN - R1A - R1S - SBG - ZAJ	D&G 3512-3516-3520	
M-4415845	1PW - BAG	D&G 3508-3512-3516-3520	
M-4512005	8CN - LPD - TTC - TTH	3516 Marine	
M-4549092	CBB - SEK - YAT	3508-D&G 3516	
M-4574614	GS2 - LLE - PWG - S2B - S2E - S2J - S2L - S2S	3508-3512-3516	
M-4577652	2HW - 3DM - 6PN - 23Z - 49Y - 65Z - 66Z - 68Z - 70Z - 72Z - 95Y - 96Y - CAL - LLC - RKT - S2B	3508-3512-3516	
M-4639569	4BW - 4TN - 7HM - 7RN - 8EM - 8NW - 8RM - 8TW - 9AN - 25Z - BPJ - CMC - FDN - FDX - GD3 GZS - GZT - GZY - KEN - LEK - MLM - NAM PBR - PTF - PTM - S2R - S2S - S2X - SEK - SLM - YAP - YAR - YAS - YAT - YAW - YAZ - YBS YBT - YBW - ZAH - ZAL - ZAP - ZBP - ZBR	3516 Gen Set	
M-4658892	1NW - 2HW - 6GW - 6PN - 23Z - 24Z - 49Y - 66Z - 67Z - 68Z - 69Z - 70Z - 72Z - 95Y - 96Y - CTD - FDN - LLC - PTH - RKT SBK - YAN - ZAJ - ZAP - ZAR	3508-3512-3516	
M-4660452	1TW - 2BM - 7SM - S2E - TTA - TTB	3508B-3508C Marine	
M-4661485	8KN - E3W - E3X - JTS - TTF - TTJ	3512C-3516B-3516C Marine	
M-4661607	9G5 - 51Y - LDE - MKH - PBR - SBJ T3P - T3R - YAM - YAW - YAY - ZAH	3512 Gen Set - Marine	
M-5007360	2GR - 2PK - 4ZL - 7TR - 8BR - 8WM - 99W - B7F - B8F - C8T	3508-3512-3516 Off Highway	
M-6V5900	95Y - 96Y	3508 Industrial - Marine	
M-6V5981	68Z	3508 Marine	
M-6V5983	9JY - 27Z - 29Z - 50Y - 65Z - 667 - 68Z - 71Z - 72Z	3512-3516	
M-6V7453	72Z - 73Z	3516 Gen Set - Ind - Marine	
M-7X7690	1ZF	3508 Gen Set	
M-8C3165	99W	3508-3508E	M-2923475
M-8C6925	54Z	3516 Off Highway	M-2923473
M-8T3347	96Z	3512 Off Highway	
M-8T7822	99W	3508-3508B	M-2923148
M-8T7823	99W	3508	M-2854119

## SINGLE FUEL INJECTOR

PART #	SERIAL NUMBER PREFIX	APPLICATION	REFERENCE
M-1063385	1PW - 2AF - 2BM - 2FW - 2GW - 2GR - 2JW 2PK - 3CW - 3LS - 3MS - 3NS - 3ZW - 4BW 4GM - 4TN - 4WJ - 5AW - 6HN - 6PM - 6WN 7HM - 7KM - 7SM - 7TR - 7YG - 8BR - 8CN 8DF - 8EM - 8RM - 9AN - 9WF - BCK - C8T	"3508-3512-3516 EUI"	
M-6V9897	1LM - 1ZF - 2WK - 3HM - 4MJ1-177 - 4XF - 5SJ 6TJ - 6WW - 8TL - 23Z - 24Z - 25Z - 27Z - 28Z - 29Z 49T - 50Y - 51Y - 54Z - 65Z - 66Z - 67Z - 68Z 69Z - 70Z - 71Z - 72Z - 73Z - 9KF - 9WN - 95Y 96Y - 96Z - 97Y - 99W - CTD - CTF - PTG - PTH RKT - YAK - YAL - YAS - YAX - YBS - ZAF - ZAL	"3508-3512-3516 MUI"	

## TORQUE CONVERTER - PLANETARY

PART #	SERIAL NUMBER PREFIX	APPLICATION	REFERENCE
M-1390702	6LE	3516 Off Highway	
M-1441141	1EE - 1SY - 9KX	3508 Dozer	
M-1630862	1SC	3508 Off Highway	
M-1746829	1SY - 9KX	3508 Dozer	M-3948237

## TRANSMISSION - POWER TRAIN

PART #	SERIAL NUMBER PREFIX	APPLICATION	REFERENCE
M-8C6932	2BE - 5Y7	3512-3516	Transmission Parts
M-1109450	7YG	3508 Dozer	Powershift O/H
M-1556051	9KX	3508 Dozer	Powershift O/H
M-1556052	1EE - 3VA	3508 Dozer	M-2976876
M-1619081	1FX - 1SC - 2PE	3508-3512-3516	
M-1896380	2BE - 3YB	3512-3516	Powershift O/H
M-2131307	1SY	3508 Dozer	Powershift O/H
M-2231101	4GX	3516-3516B Off Highway	Powershift O/H
M-3E9875	1FX - 1SC - 2PE	3508-3512	
M-8C3215	1EE	3508 Dozer	Parts & Case
M-8C3218	1EE	3508 Dozer	Oil Pump
M-8C5451	6LE	3516 Off Highway	Parts & Case
M-8C5468	2BE - 6LE	3512-3516 Off Highway	Input Transfer Gear
M-8C6933	2BE	3512-3516 Off Highway	Parts & Case
M-8T3355	3YB	3512 Off Highway	Parts & Case
M-8T7334	1EE	3508 Dozer	Filter Torque

## TURBOCHARGER & TURBO INSTALLATION

PART #	SERIAL NUMBER PREFIX	APPLICATION	REFERENCE
M-1051864	4KC - 7NJ	G3512	
M-1402041	1LM - 4XF - 51Y	3512	
M-1424932	7TR	3516B Off Highway	M-2795663
M-1440380	9KF1-104	3516 Vehicular	
M-1628248	7KM	3516 Gen Set	M-2795758
M-1930739	7TR - 8NZ	3516B Off Highway	M-4340000
M-2001885	8RM	3512B Gen Set	M-2822013
M-2011277	2GR - 8BR	3508-3508B- 3512-3512B	
M-2153046	2JF - 3RC - 4EK - 4KC - 5JD - 5PN - 7NJ - 8LD - 9TG	G3508- G3512-G3516	
M-2153485	96Y	3508 Marine	
M-2158127	3ZW - 8DF	3512B Industrial - Vehicular	M-2850036
M-2158268	4EK - 7NJ	G3512	M-2796671
M-2159808	51Y	3512 Vehicular	M-2821959
M-2162612	72Z	3512-3516 Marine	
M-2162633	66Z	3512 Marine	
M-2162647	66Z	3512 Marine	
M-2162959	3RC - 4KC	G3516	
M-2162973	2WK	3512 Vehicular	M-2812714
M-2163023	3NS - 7KM	3516-3516B Gen Set	
M-2163946	1LZ - 25Z	3516 Gen Set	
M-2163973	4XF - 5SJ	3516 Gen Set	
M-2163976	1HZ - 2JW - 6HN - 7RN	3516B Gen Set	
M-2164064	2FW - 3CW	3516B Marine	
M-2164072	3SS	3516 Marine	M-2796685
M-2166211	25Z	3516 Gen Set	
M-2166212	25Z - 27Z	3516 Gen Set	M-2816461
M-2166313	25Z - 27Z	3516 Gen Set	M-2816593
M-2166918	28Z	3516 Vehicular	
M-2167407	29Z	3516 Marine	
M-2167756	CEY	G3516B	M-2796711
M-2172083	6HN - 6WN	3512B-3516B Gen Set	
M-2172199	4GM	3508B Gen Set	
M-2172291	3LS - 6TJ - 23Z	3508-3508B	M-2822065
M-2175251	4ZL	3508	M-4767249
M-2175880	2GR - 4WJ - 96Z	3512 Off Highway	M-4674100
M-2180744	2PK	3516 Off Highway	M-2797153

All manufacturer's names, numbers, symbols and descriptions are used for reference purposes only and does not imply that any part listed is the product of these manufacturers.



## TURBOCHARGER & TURBO INSTALLATION CONT...

PART #	SERIAL NUMBER PREFIX	APPLICATION	REFERENCE
M-2688156	2GR	"3508-3512 Tractor - Truck"	
M-2795845	2EZ - 3KD - 4TN - 8EM	3512C Petroleum	
M-2797190	2PK	3516 Excavator	
M-2809532	4AW	3512B - Gen Set	
M-2812505	23Z - 65Z - 68Z - 71Z - 73Z - 95Y	3508 Gen Set - 3512 Gen Set - Ind	
M-2812898	23Z - 24Z - 50Y - 67Z - 69Z - 70Z - 72Z - 73Z - 96Y	3508-3512-3516	
M-2814614	25Z - 27Z - 72Z	3512-3516 Marine	
M-2823657	3EC - 4EK - 4KC - 5PN - 7NJ	G3516	
M-2987002	1PW - 2BM - 2EZ - 3SS - 3ZW - 5PS - 8DF - 8EM CBN - FFG - PWG - S2H - S2J - S2S - S2Z	3508B Marine - Industrial	M-4663776
M-3015283	2GR	3508B Dozer	
M-3061800	GZS	3516B Gen Set	
M-3134914	3MS - 6PM - 24Z - 65Z - 71Z - 73Z - PTG	3512-3516 Gen Set - Industrial	
M-3160541	LJW	3508B Truck - Dozer	
M-3193855	8WM	3516 Off Highway	
M-4272195	E3W - E3Y - T3R - TTF	3512C Marine	
M-4360137	JTS - TTD - TTH	3516C Marine	
M-4390457	1PW - 8EM - B7F - CAN - F1X LLB - R1A - R1S - S2T	3508-3512	
M-4406898	SFJ - YAY	3516 Gen Set	
M-4465667	6HN - SBK - SEK - YAP - ZAP	3516 Gen Set	
M-4576112	1TW - 2BM - 2GW - 3DM - 3RS - 4AW - 4TN - 7SM BRC - CBB - LLA - LLE - PES - PT F - S2B S2D - S2E - S2H - S2K - S2L - S2N - TTA - TTB	3508-3512-3516	
M-4576719	2WK - 3HM - 5SJ - 6TJ - 6WW - 9KF - 23Z - 24Z 25Z - 27Z - 29Z - 49Y - 50Y - 65Z - 66Z - 67Z 68Z - 69Z - 70Z - 71Z - 72Z - 73Z - 95Y - 96Y CMD - CMJ - CNF - CTD - CTF - FDR - GZR GZX - LLF - PTG - PTH - PTK - ZAF - ZAL	3508-3512-3516	
M-4580412	6PN	3508B Gen Set	
M-4587147	1NW - 2HW - BLF - GZT - LLC - YAZ	3508-3512-3516 Gen Set	
M-4639811	7RN - BPJ - FDN - FDX - GD3 - GZS NAM - PBR - YAP - YAR - YAT - YAW - YBT YBW - ZAL - ZAP - ZAR - ZBP - ZBR	3516 Gen Set	
M-4640898	8TW - 25Z - YAL - YAS - YBS - ZAJ - ZAL	3516 Gen Set	
M-4727249	2GR - 7YG - 54Z - 99W - C8T	3508-3508B	
M-4983746	YAM - ZAH	3512-3512B Gen Set	
M-5189378	2JW - 6HN	3516 Gen Set	
M-7X7689	1ZF	3508 Gen Set	
M-8C5544	2PK - 54Z	3516 Off Highway	M-2795624

## WATER LINES

PART #	SERIAL NUMBER PREFIX	APPLICATION	REFERENCE
<b>M-1264175</b>	1PW - 1TW - 2EZ - 2FW - 2GW - 3CW - 3DM 3PS - 3RS - 3SS - 4BW - 4TN - 50Y - 7KM - 7SM 8EM - 8KN - 97Y - 9AN - 29Z - 66Z - 69Z - 72Z 95Y - 96Y - CBN - CDE - E3X - JTS - PES - S2B S2D - S2E - S2G - S2H - S2J - S2K - S2L S2R - S2S - S2X - TTC - TTF - TTG - TTJ	3508 - 3512 - 3516	
<b>M-1267956</b>	5SJ162-Up	3516 Gen Set	
<b>M-1440381</b>	9KF1-104	3516 Vehicular	
<b>M-1782988</b>	1HZ - 1LZ - 2JW - 3NS - 3RS - 4XF - 5SJ - 6HN 7KM - 7RN - 9WF - 25Z - 27Z - 28Z - 71Z - 73Z	3516 Gen Set	
<b>M-1892186</b>	1PW - 2GW - 4TN - 8EM	3512B Marine	
<b>M-2001886</b>	1LM - 2AF - 2WK - 3LS - 3MS - 3RS - 3ZW - 4AW 5AW - 6GW - 6PM - 6WN - 8DF - 8RM - 24Z 49Y - 51Y - 65Z - 67Z - CMC - ZAH	3512-3512B	
<b>M-2129425</b>	2BM	3508B - Marine	
<b>M-2129469</b>	2GR - 7YG - 99W	3508 Dozer	
<b>M-2129518</b>	3DM - 7SM	3508B Marine	
<b>M-2135182</b>	4KC - 5JD - 7NJ	G3512	
<b>M-2135221</b>	4KC	G3512	
<b>M-2137396</b>	7HM	3512B - Marine	
<b>M-2139207</b>	4MJ1-177 - 8CN	3516 - 3516B Marine	M-2829648
<b>M-2143534</b>	2PK - 54Z - 7TR	3516 - 3516B	
<b>M-2144151</b>	4WJ - 8BR - 96Z	3512 - 3512B	
<b>M-2167084</b>	4EK - CEY	G3516	M-2919152
<b>M-2688201</b>	8BR	3512 - 3512B - 3512C	
<b>M-2829534</b>	2JW - 3NS - 4XF - 5SJ - 6HN - 7KM - 7RN - 9WF 25Z - 27Z - 28Z - 71Z - 73Z - FDN - GZS - ZAP - ZAR	3516 - 3516B	

All manufacturer's names, numbers, symbols and descriptions are used for reference purposes only and does not imply that any part listed is the product of these manufacturers.

## WATER LINES CONT...

PART #	SERIAL NUMBER PREFIX	APPLICATION	REFERENCE
M-2829625	2FW - 3CW - 4BW - 8KN - 9AN - S2X	3516B Marine	
M-2986120	1ZF - 2GR - 2HW - 4GM - 5PS - 6PN - 6TJ - 7YG 23Z - 68Z - 70Z - 95Y - 97Y - C8T - CBB - CTF	3508-3508B	
M-3010624	1TW - 3DM - 3DW - 7SM - BAG - LPD S2A - S2B - S2D - S2E - S2F - TTB	3508B-3508C Marine	
M-3015284	2GR - C8T	3508-3508B Wheel Loader	
M-3047215	2GR - JDM	3508-3508B	
M-3062350	S2B	3508B Marine	
M-3126394	67Z	3512-3512B	
M-3155736	2GR	3508B	
M-3193856	8WM	3516B Off Highway	
M-4243497	LLE	3508C-3512C	
M-4259524	7RN - CTD - RKT - YAL - YAT - YBS - ZAP	3516-3516B- 3516C Gen Set	
M-4263622	2EZ - 2GW - 4TN - 8EM - S2G - S2H - S2J - S2K - S2L	3512B Marine	
M-4263644	2FW - 3SS - CBN - S2P - S2R - S2T - S2Z	3516 Marine	
M-4273905	SLM - TTC	3512C Marine	
M-4347557	LLA - PTF - PTG - YAK - YAM - YAX - ZAF - ZAH	3512-3512B Gen Set	
M-4354115	LJW	3508	
M-6V5955	23Z - 96Y	3508 Marine - Gen Set	
M-6V6430	69Z - 70Z	3508 Marine - Gen Set	
M-6V7265	25Z - 29Z - 72Z - 73Z	3516 Marine - Gen Set	
M-7X7687	1ZF	3508-3512	
M-8C6534	27Z	3516 Industrial	
M-8C6981	24Z	3512 Gen Set	

All manufacturer's names, numbers, symbols and descriptions are used for reference purposes only and does not imply that any part listed is the product of these manufacturers.

## WATER PUMP

PART #	SERIAL NUMBER PREFIX	APPLICATION	REFERENCE
M-1287062	2PK	3516 Excavator	
M-1419643	7YG - 99W	3508-3508B Dozer	
M-1499317	2GR	3508B Dozer	
M-1960237	1LM - 1ZF - 2AF - 2JW - 2WK - 3LS - 3MS - 3NS 4GM - 4XF - 5AW - 5SJ - 6GW - 6HN - 6PM - 6PN 6TJ - 6WN - 6WW - 7KM - 8DF - 8RM - 9KF - 9WF 24Z - 23Z - 25Z - 27Z - 28Z - 51Y - 65Z - 68Z - 71Z 73Z - 95Y - 97Y - BCK - CMC - F1X - F2X - GD3 - GZS GZS - MLM - NJT - PBR - PTF - PTM - ZAH - ZAR	3508-3512-3516	
M-2861020	2GR - 2PK - 4WJ - 7TR - 7YG - 8BR - 54Z - 96Z	3508-3512-3516	
M-3011151	1PW - 2BM - 2FW - 3CW - 3DW - 4MJ1-177 7HM - 7TR - 8CN - 9AN - 23Z - 24Z - 25Z - 29Z 50Y - 67Z - 69Z - 70Z - 72Z - 73Z - 96Y - CBN EDY - MLM - S2A - S2E - S2J - TKR - YAX	3508-3512-3516	
M-3015285	2GR - 2PK - 7TR - 9G8 - 9G9 - B8F C8T - LDF - LDJ - SK3 - T3P - T3R	3508-3512-3516	
M-3047216	1NW - 1TW - 2GR - 4AW - 4ZL - 6HZ - 6PN - 7RN 7SM - 7TR - 8BR - 8NW - 8WM - 23Z - 24Z 25Z - 49Y - 67Z - 68Z - 70Z - 73Z - 95Y - 99W B7F - BCK - BLF - BPJ - BRC - CAN - CBB CTD - CTF - F2X - FDN - GS2 - GZS - GZY JDM - KEN - LLA - LLB - LLE - LLK - NAM PBR - PTG - PWG - R1A - R1S - RKT - RMS S2E - S2F - S2G - SEK - SFJ - T2X - YAL YAM - YAP - YAR - YAS - YAT - YAW - YAY - YBS YBT - YBW - ZAH - ZAL - ZAP - ZBP - ZBR	3508-3512-3516	
M-3062351	1PW - 1TW - 2BM - 2EZ - 2GW - 3DM - 3DW 3PS - 3RS - 3SS - 4BW - 4TN - 7HM - 7SM - 8EM 8KN - 9AN - 29Z - 50Y - 66Z - 69Z - 72Z - 95Y 96Y - BAG - CDE - E3W - E3X - E3Y - FFG JTS - LPD - PAG - PES - R1A - S2B - S2D - S2E S2F - S2G - S2H - S2J - S2K - S2L - S2M - S2N S2P - S2R - S2S - S2T - S2W - S2X - SLM - TTA TTB - TTC - TTD - TTF - TTG - TTH - TTJ	3508-3512-3516	
M-6V1532	51Y	3512 Vehicular	
M-6V1533	50Y	3512 Marine	
M-6V1534	49Y	3512 Industrial - Locomotive	
M-8C3169	99W	3508-3508B Dozer	
M-9X6253	3RC	G3516	

All manufacturer's names, numbers, symbols and descriptions are used for reference purposes only and does not imply that any part listed is the product of these manufacturers.

## GASKETS

PART #	DESCRIPTION
M-7J8114	Gasket - Accessory Drive
M-1008058	Gasket - Aftercooler
M-1525705	Gasket - Aftercooler
M-1W1253	Gasket - Aftercooler
M-4N1320	Gasket - Aftercooler
M-7C9710	Gasket - Air Bypass
M-1857724	Gasket - Air Cleaner
M-1006178	Gasket - Air Compressor
M-7E3772	Gasket - Base - Rocker
M-2N8374	Gasket - Belt Tensioner
M-7W4149	Gasket - Carburetor
M-4W7992	Gasket - Carburetor Group
M-4W9765	Gasket - Carburetor Group
M-1274422	Gasket - Compressor
M-6L5568	Gasket - Coolant Group
M-9M8546	Gasket - Cooler Group
M-1H7666	Gasket - Cooling System
M-7E6016	Gasket - Cooling System
M-1W4736	Gasket - Cover
M-5S6371	Gasket - Crankshaft Group
M-1106991	Gasket - Cylinder Head
M-8N9885	Gasket - Drive Housing
M-0L1146	Gasket - Drive Train
M-3208974	Gasket - Exhaust Manifold
M-2043506	Gasket - Exhaust Manifold
M-2071354	Gasket - Exhaust Manifold
M-2W7856	Gasket - Exhaust Manifold
M-7E4127	Gasket - Exhaust Manifold
M-7E8467	Gasket - Exhaust Manifold
M-2453512	Gasket - Exhaust Manifold
M-7N8175	Gasket - Exhaust Manifold
M-7W8145	Gasket - Exhaust Manifold
M-2N931	Gasket - Expansion Tank
M-3H5939	Gasket - Expansion Tank
M-4W5369	Gasket - Fastener Group
M-1538455	Gasket - Flame Arrestor
M-7N3049	Gasket - Flywheel Housing
M-1078505	Gasket - Fuel System
M-1W4008	Gasket - Fuel Transfer
M-1190814	Gasket - Ignition

PART #	DESCRIPTION
M-8N1996	Gasket - Injection Control
M-8N2928	Gasket - Inlet Manifold
M-7N4945	Gasket - Jacket Water Heater
M-1W1251	Gasket - Lines Group - Air
M-1W5957	Gasket - Lines Group - Air
M-1W7391	Gasket - Lines Group - Air
M-2006547	Gasket - Lines Group - Air
M-2N8630	Gasket - Lines Group - Air
M-4W9002	Gasket - Lines Group - Air
M-4W9723	Gasket - Lines Group - Air
M-4W9725	Gasket - Lines Group - Air
M-7N4895	Gasket - Lines Group - Air
M-7N5089	Gasket - Lines Group - Air
M-8N2410	Gasket - Lines Group - Air
M-8N392	Gasket - Lines Group - Air
M-9L1480	Gasket - Lines Group - Oil
M-2528374	Gasket - Lines Group - Turbo
M-3419211	Gasket - Lines Group - Turbo
M-1217533	Gasket - Lines Group - Water
M-1228856	Gasket - Lines Group - Water
M-1228857	Gasket - Lines Group - Water
M-2301072	Gasket - Lines Group - Water
M-2415928	Gasket - Lines Group - Water
M-2432288	Gasket - Lines Group - Water
M-2470708	Gasket - Lines Group - Water
M-4L3833	Gasket - Lines Group - Water
M-4W3100	Gasket - Lines Group - Water
M-5G1442	Gasket - Lines Group - Water
M-5N1940	Gasket - Lines Group - Water
M-7N4932	Gasket - Lines Group - Water
M-8N1270	Gasket - Lines Group - Water
M-8N4524	Gasket - Lines Group - Water
M-1S5772	Gasket - Lines Group - Water
M-2W752	Gasket - Lubrication System
M-1121564	Gasket - Manifold
M-7N5080	Gasket - Manifold
M-2473796	Gasket - Oil Cooler
M-7W7071	Gasket - Oil Cooler
M-9F8127	Gasket - Oil Cooler
M-9Y6893	Gasket - Oil Cooler

### GASKETS CONT...

PART #	DESCRIPTION
M-7N3368	Gasket - Oil Cooler - Transm
M-4L8606	Gasket - Oil Cooler Lines
M-1143824	Gasket - Oil Filter
M-2P4305	Gasket - Oil Filter
M-9M2610	Gasket - Oil Filter
M-9Y8388	Gasket - Oil Filter
M-7E2630	Gasket - Oil Pan
M-7E2631	Gasket - Oil Pan
M-7E2632	Gasket - Oil Pan
M-4F3765	Gasket - Oil Pan Group
M-1111349	Gasket - Oil Pump
M-1Y7578	Gasket - Oil Pump Cover
M-7N5057	Gasket - Pump - Oil
M-8B1615	Gasket - Pump - Oil
M-8H8754	Gasket - Radiator Group
M-5H4034	Gasket - Shutoff
M-8N8452	Gasket - Silencer
M-1445692	Gasket - Spacer Plate

PART #	DESCRIPTION
M-3H510	Gasket - Starter
M-8N8451	Gasket - Starter
M-7H9899	Gasket - Tachometer
M-7N4320	Gasket - Tachometer Drive
M-7N4927	Gasket - Thermostat Housing
M-1058901	Gasket - Transmission
M-8N8089	Gasket - Transmission Lines
M-2M4108	Gasket - Transmission Oil
M-4W2359	Gasket - Turbo - Exhaust
M-3393175	Gasket - Turbo Lines Inlet
M-1215736	Gasket - Turbocharger
M-2413283	Gasket - Turbocharger
M-2894079	Gasket - Turbocharger
M-4L8149	Gasket - Turbocharger Oil
M-4P4460	Gasket - Turbocharger Oil
M-6L1694	Gasket - Turbocharger Oil
M-2037859	Gasket - Valve Mechanism
M-5L1150	Gasket - Water Pump

### SEALS & O-RINGS

PART #	DESCRIPTION
M-3H4970	Seal - Accessory Drive
M-4H1860	Seal - After Cooler
M-1073758	Seal - Aftercooler
M-1073759	Seal - Aftercooler
M-1H474	Seal - Aftercooler
M-6V2695	Seal - Aftercooler Lines
M-2287091	Seal - Air Shutoff Valve
M-1199443	Seal - Alternator
M-1S1225	Seal - Auxilary Drive
M-1495462	Seal - Auxilary Water Pump
M-1S9544	Seal - Brake Saver
M-2067030	Seal - Breather Tube
M-2082362	Seal - Camshaft Cover
M-7N2046	Seal - Cylinder Liner
M-2295333	Seal - Exhaust
M-7C3920	Seal - Exhaust
M-2295332	Seal - Exhaust Manifold
M-3369992	Seal - Exhaust Manifold

PART #	DESCRIPTION
M-4D449	Seal - Final Drive
M-1949584	Seal - Fuel Inj Pump
M-1123597	Seal - Fuel Transfer Pump
M-1S7390	Seal - Hydraulic
M-1S7408	Seal - Hydraulic
M-6V3549	Seal - Hydraulic Pump
M-6V5101	Seal - Hydraulic System
M-1352651	Seal - Ignition Transformer
M-1251372	Seal - Ignition Transformer
M-5B4399	Seal - Line Group - Water
M-8N4707	Seal - Liner Band Filler
M-1097411	Seal - Lines Group - Air
M-1743357	Seal - Lines Group - Air
M-6V5103	Seal - Lines Group - Air
M-1092332	Seal - Lines Group - Oil
M-1135304	Seal - Lines Group - Oil
M-1792960	Seal - Lines Group - Water
M-1121102	Seal - Lines Group - Water

All manufacturer's names, numbers, symbols and descriptions are used for reference purposes only and does not imply that any part listed is the product of these manufacturers.



### SEALS & O-RINGS CONT...

PART #	DESCRIPTION
M-1674407	Seal - Lines Group - Water
M-1714358	Seal - Lines Group - Water
M-2006410	Seal - Lines Group - Water
M-2065988	Seal - Manifold
M-3P651	Seal - Oil Cooler Lines
M-5D5957	Seal - Oil Filter
M-2287097	Seal - Oil Lines
M-3P655	Seal - Oil Lines
M-3P656	Seal - Oil Lines
M-9H858	Seal - Oil Lines
M-2986387	Seal - Oil Pump
M-3P654	Seal - Oil Tube
M-2197000	Seal - O-Ring - Adapter
M-5S6760	Seal - O-Ring - Aftercooler
M-6V3603	Seal - O-Ring - Aftercooler
M-7M9909	Seal - O-Ring - Aftercooler
M-8C5209	Seal - O-Ring - Aftercooler
M-8T1919	Seal - O-Ring - Aftercooler
M-5P8862	Seal - O-Ring - Air Lines
M-6V3917	Seal - O-Ring - Air Lines
M-6V5054	Seal - O-Ring - Air Lines
M-6V5166	Seal - O-Ring - Air Lines
M-6V5167	Seal - O-Ring - Air Lines
M-5P8940	Seal - O-Ring - AirLines
M-8C3107	Seal - O-Ring - Brakesaver
M-336031	Seal - O-Ring - Crankcase
M-6V895	Seal - O-Ring - Fuel Lines
M-6V5051	Seal - O-Ring - Fuel Sensor
M-6V3865	Seal - O-Ring - Gear Pump
M-2353546	Seal - O-Ring - Gen Use
M-2S4071	Seal - O-Ring - Gen Use
M-3B8453	Seal - O-Ring - Gen Use
M-3P648	Seal - O-Ring - Gen Use
M-6L7817	Seal - O-Ring - Gen Use
M-6V1454	Seal - O-Ring - Gen Use
M-6V3348	Seal - O-Ring - Gen Use
M-6V4314	Seal - O-Ring - Gen Use
M-6V5064	Seal - O-Ring - Gen Use
M-6V8001	Seal - O-Ring - Gen Use
M-7D7111	Seal - O-Ring - Gen Use

PART #	DESCRIPTION
M-7M6637	Seal - O-Ring - Gen Use
M-8M5252	Seal - O-Ring - Gen Use
M-8T2928	Seal - O-Ring - Gen Use
M-8T2929	Seal - O-Ring - Gen Use
M-5P4892	Seal - O-Ring - Gen Use
M-0951674	Seal - O-Ring - Hydraulic
M-8M4436	Seal - O-Ring - Hydraulic
M-8M5251	Seal - O-Ring - Hydraulic
M-8M8283	Seal - O-Ring - Oil Cooler
M-6V3907	Seal - O-Ring - Oil Filter
M-2377623	Seal - O-Ring - Oil Lines
M-7X4810	Seal - O-Ring - Oil Lines
M-5P5700	Seal - O-Ring - Oil Lines
M-5P7817	Seal - O-Ring - Oil Lines
M-619456	Seal - O-Ring - Oil Lines
M-6V973	Seal - O-Ring - Oil Pan
M-7X1547	Seal - O-Ring - Oil Pan
M-5P7818	Seal - O-Ring - Oil Pan
M-5P8872	Seal - O-Ring - Oil Pan
M-6V7681	Seal - O-Ring - Oil Pump
M-2287094	Seal - O-Ring - Oil Pump
M-5P4057	Seal - O-Ring - Planetary
M-1832317	Seal - O-Ring - Planetary
M-6V5102	Seal - O-Ring - Power Train
M-8M8282	Seal - O-Ring - Power Train
M-9M9545	Seal - O-Ring - Torque Convtr
M-1313718	Seal - O-Ring - Transfer Case
M-7L2224	Seal - O-Ring - Transmission
M-6V3832	Seal - O-Ring - Turbo
M-8S5011	Seal - O-Ring - Turbo
M-6V5066	Seal - O-Ring - Water Lines
M-6V9769	Seal - O-Ring - Water Lines
M-7L4773	Seal - O-Ring - Water Lines
M-5P6302	Seal - O-Ring - Water Lines
M-5P7204	Seal - O-Ring - Water Lines
M-8T1703	Seal - O-Ring - Water Lines
M-8T2903	Seal - O-Ring - Water Lines
M-9X7549	Seal - O-Ring - Water Lines
M-8J8725	Seal - O-Ring - External Inj
M-9X7735	Seal - O-Ring - External Inj
M-4K6804	Seal - O-Ring - W/P Mnt

### SEALS & O-RINGS CONT...

PART #	DESCRIPTION
M-2287096	Seal - Plug
M-2594598	Seal - Plug
M-335853	Seal - Plug
M-3S4489	Seal - Power Train
M-3P649	Seal - Pulley
M-1606387	Seal - Radiator
M-3P7613	Seal - Ring - Planetary
M-4F5607	Seal - Ring - Transmission
M-8S7762	Seal - Ring - Water Pump
M-3P657	Seal - Scavenger Pump
M-2775833	Seal - Side Block
M-2082363	Seal - Side Cover
M-1531810	Seal - Thermostat
M-1291653	Seal - Transmission
M-2385079	Seal - Transmission
M-2965820	Seal - Valve Cover

PART #	DESCRIPTION
M-2407032	Seal - Valve Lifter
M-1179315	Seal - Valve Mechanism
M-1090075	Seal - Water Lines
M-1986067	Seal - Water Lines
M-1664376	Seal - Water Pump
M-3362212	Seal - Water Pump
M-3P1796	Seal - Water Pump
M-6N9313	Seal - Water Pump
M-8C5236	Seal - Water Pump
M-8S8821	Seal - Water Pump
M-9X4594	Seal - Water Pump
M-2049598	Seal - Wet Manifold
M-3492654	Seal Assembly - Water
M-4200652	Seal Assembly - Water
M-4200653	Seal Assembly - Water
M-1313815	Seal Group - Water Pump

### HARDWARE

PART #	DESCRIPTION
M-4649191	Bolt - 12 Point Head
M-7N1961	Bolt - 12 Point Head
M-7L6443	Bolt - Exhaust Manifold
M-6V6753	Bolt - Turbo Mount
M-5P9681	Bolt - Water Pump
M-8N7639	Elbow - Water Lines
M-7F2836	Lock - Auxiliary Pump
M-1687800	Lock - Nut - Exhaust
M-1977055	Lock - Retainer
M-5S3618	Lock - Transfer Case
M-1B4204	Nut - Hex - Gen Use
M-5S5880	Nut - Lock - Planetary

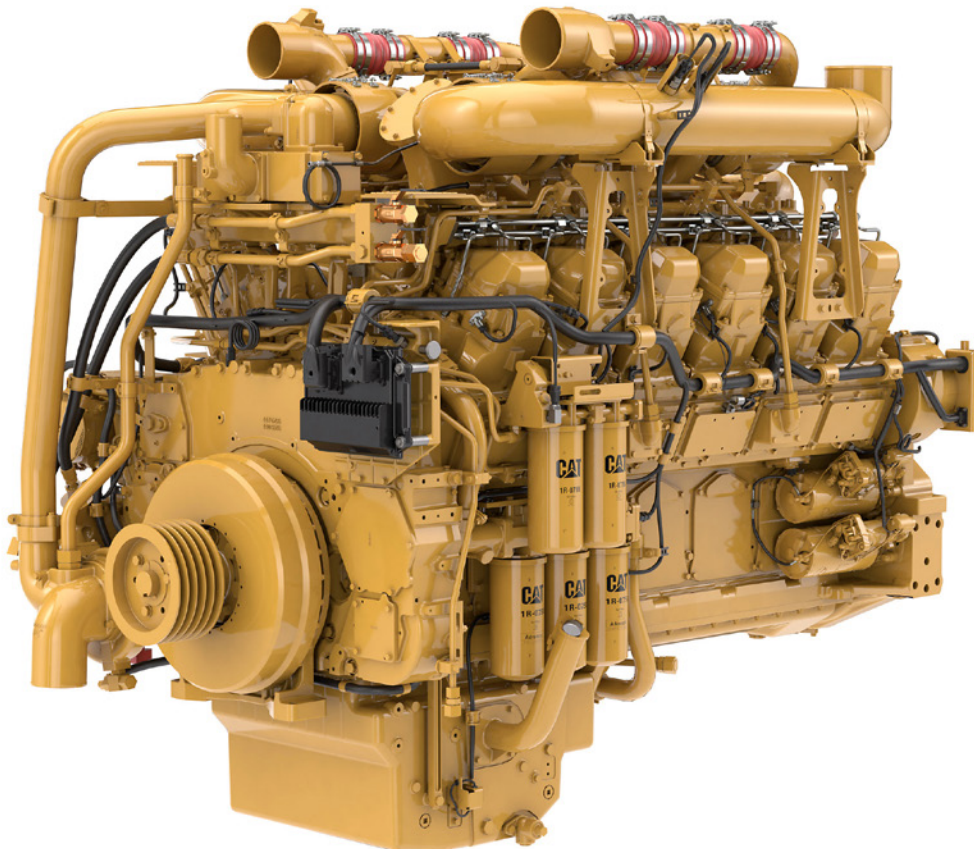
PART #	DESCRIPTION
M-4W2110	Ring - Retainer - Gen Use
M-8N8570	Ring - Retaining - Cooling Group
M-3580768	Screw - Adjusting
M-8C8491	Washer - Exhaust Manifold
M-4B8407	Washer - Flat
M-5R7136	Washer - Front Housing
M-5P8250	Washer - Hard
M-1083612	Spacer - Exhaust Manifold
M-2N9288	Stud - Exhaust Bypass
M-7S6719	Stud - Exhaust Manifold
M-1061793	Stud - Taperlock - Exhaust

All manufacturer's names, numbers, symbols and descriptions are used for reference purposes only and does not imply that any part listed is the product of these manufacturers.

**MISC. ENGINE ITEMS**

PART #	DESCRIPTION
M-3K6662	Bearing - Accessory Drive
M-1T0210	Bearing - Ball - Fan Drive
M-1P1114	Bearing - Turbo Cartridge
M-1M7250	Body - Pre-Cleaner
M-6H8021	Body - Pre-Cleaner
M-4W3027	Breather - Crankcase
M-8N6061	Bushing - Air Shut-off
M-1W9379	Bushing - Governor Housing
M-1W6005	Bushing - Oil Pump
M-7L4447	Cap - Oil
M-6N2206	Cap - Oil Filler
M-6N2985	Cap - Oil Filter - 1-7/8
M-9M8911	Collar - Thrust - Turbo
M-6B3224	Cup - Bearing





PART #	DESCRIPTION
M-3591439	Grommet - Water - Cyl Head
M-1874608	Hose - Aftercooler
M-7N7435	Kit - Air Compressor Repair
M-7N4837	Piston - Air Compressor
M-2W2288	Plug - Crankshaft
M-7S8817	Prescreener
M-1113820	Ring - Retainer - Oil Filter
M-6N2109	Ring Set - Air Compressor
M-4N913	Screen - Oil Suction
M-8S9130	Screen - Suction
M-9L4013	Set - Belt - Alternator
M-7W5228	Set - Belt - Fan
M-6B9202	Spring - Oil Pump
M-3N5991	Thermocoupling






# CAPIPARTS

*Your Mining Parts Specialists*

## *Head Office*

-  +27 11 568 4215
-  [info@capiparts.co.za](mailto:info@capiparts.co.za)
-  [www.capiparts.co.za](http://www.capiparts.co.za)
-  198 High Road, Bredell, Kempton Park,  
1623, South Africa

## *Mozambique Branch*

-  Tel: +258 84 128 88 87
-  [info@capiparts.co.za](mailto:info@capiparts.co.za)
-  [www.capiparts.co.za](http://www.capiparts.co.za)
-  Cidade de Tete, Zona Industrial,  
Bairro Matundo, Parcela, n.º 1631



For the latest  
product info  
scan here

**CEP**  
*Capital Equipment Parts*